



EcoHygiene Hand Dryer

Nowadays, people are in search of a more hygienic high speed hand dryer. Other than the existing energy-saving and high drying efficiency features, the EcoHygiene hand dryer has a resident HEPA filter that is hidden inside of the cover. This would be specifically suitable for designers who are in pursuit of aesthetic appearance, while wanting the hygienic features to satisfy building owners' requests.



HIGH SPEED RANGE

Why EcoHygiene?

Specs



air speed 63-89 m/s



standby power 0.3-0.4W



1.0kW only



IP24



carbon filter assembly

Design



about the size of A4 paper



less than 4" from the wall



heater on/off



sound & power adjustment



fewer materials save resource



recycled and reused

In Use



10-15 seconds drying time



save 80% of energy cost



three safety protections



60s timing protection

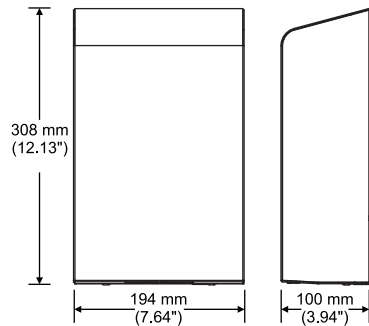


easy to clean



easy maintenance

Specification

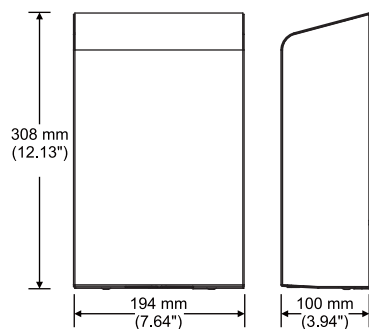


Model Name: EcoHygiene01

Cover Finish: White Powder Coating

Cover Material: Stainless Steel (#430)

Operation: Automatic

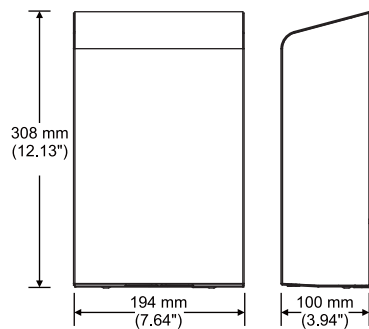


Model Name: EcoHygiene01B

Cover Finish: Matte Black Powder Coating

Cover Material: Stainless Steel (#430)

Operation: Automatic






Model Name: EcoHygiene05

Cover Finish: Satin

Cover Material: Stainless Steel (#304)

Operation: Automatic

Specification

Packaging (carton):	4 dryer/carton. G.W. 20.1 kg. Meas. 3.9'
Drying Time:	Less than 10-15 seconds
Operating Voltage:	110-120 Vac, 50/60 Hz, 7.6-8.4 A, 0.84-1.0 kW 220-240 Vac, 50/60 Hz, 3.8-4.2 A, 0.84-1.0 kW
Motor Wattage:	325-500 W, Adjustable
Standby Power:	0.3-0.4 W
Air Speed:	63-89 m/s, Adjustable
Sound Level:	MIN 68.6 to 72.3 dB MAX @ 1m
Sensing Range:	170 ± 20 mm, Adjustable
Drip Proof:	IP24
Timing Protection:	60 seconds auto shut off
Motor Thermal Protection:	Auto resetting thermostat turns unit off, at 95 °C (203 °F)
Heater Thermal Protection:	Auto resetting thermostat turns unit off at 85 °C (185 °F) Thermal fuse cuts unit off at 142 °C (185 °F)
Safety Approvals:	  CE CB  WEEE RoHS

PVD Color

