



HOKWANG INDUSTRIES CO., LTD.

Tel : +886-2-2496 6425

E-mail : hokwang@hokwang.com

Fax : +886-2-2496 6538

Website : <http://www.hokwang.com>

Add : No.131 Dingping Road, Ruifang District, New Taipei City, 224012, Taiwan.

Professional manufacturer for hand dryers
auto soap and sanitizer dispensers
auto faucets
auto flush valves

HOKWANG INDUSTRIES

CATALOGUE

Hokwang Industries Co., Ltd.

We are the top maker of hands free hygiene products in Taiwan



SAVE OUR GREEN ENVIRONMENT

Auto Hand Washing Station	01
High Speed Hand Dryer	13
Conventional Hand Dryer	41
Soap Dispenser	49
Auto Faucet & Urinal, Closet Flusher	69

Hokwang, an ISO certified (ISO9001 and ISO14001), professional manufacturer in Taiwan, specializes in hand dryers, auto soap and sanitizer dispensers, auto faucets and auto flush valves. We offer a complete accessory package to make managing the hygiene of commercial washroom as easy as possible with our top quality products.

Why choose HOKWANG?

- Excellent Services- Over 90% Customer Satisfaction
- Experienced R&D team & Customized Services
- Worldwide Safety and Green approvals and certificates:
UL, cUL, CE, GS, CB, BSMI, EMC, LVD, WEEE , RoHS, EPD and G Mark
- UL & TUV certified laboratory in house
- Innovative Products: Over 250 patents
- Your Green Partner: Saves trees, water, and reduces waste
- Better world: Corporate Social Responsibilities

Our main goal is to create a completely HANDS FREE commercial washroom and build long term relationships with our customers by offering quality hygiene products and timely customer services.

AUTO HAND WASHING STATION

One-Stop Solution for Hand Washing Stations, Rinsing and Drying



Hokwang offers different commercial hand washing stations in integrated design, most of which can be customized according to customers' demand. An auto hand washing station consists of a hand dryer, an auto soap dispenser and an auto faucet with the same stainless steel spout design and LED indication lights.

They can be either wall mounted, deck mounted, or installed behind the mirror. These combinations create a simple and elegant look in a commercial restroom.

Hand wash stations are suitable for commercial restrooms in new projects or building renovations. Users can wash, rinse and dry their hands right at the wash basin.

It is the one-stop solution for hand hygiene that requires the smallest maintenance effort because it simplifies the cleaning process- no dripping on the floor nor waste bin full of used paper towels that needs to be cleaned.

PENINSULA Hand Washing Station

- Integrated Design
- Flexible Installation
- Standalone Hand Washing Station Available - Stainless Steel or Engineer Stone
- Stainless Steel Casting Spout (PVD available)
- IOT Compatible



PENINSULA SD

Soap Dispenser
Foam, liquid and spray pump
Interchangeable
Long life cycle
SUS 304



PENINSULA FA

Faucet
Auto detecting sensing range
Long life cycle
SUS 304



PENINSULA HD

Hand Dryer
Intelligent temperature control
IP35 water resistant
Carbon filter assembly
SUS 304

- For detailed specifications, please see pages 54, 61 & 69.
- The Hand Washing Station can be highly customizable according to customers' needs. Please feel free to contact us for your project requirements.

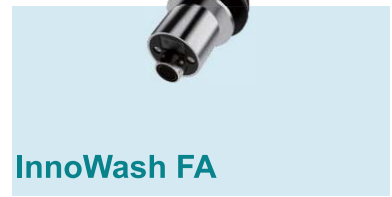
InnoWash Hand Washing Station

- Integrated Design
- Flexible Installation
- Standalone Hand Washing Station Available - Stainless Steel or Engineer Stone
- PVD Spouts Available
- IOT Compatible



InnoWash SD

Soap Dispenser
Foam, liquid and spray pump
Interchangeable
Long life cycle
SUS 304



InnoWash FA

Faucet
Auto detecting sensing range
Long life cycle
SUS 304



InnoWash HD

Hand Dryer
Intelligent temperature control
IP35 water resistant
Carbon filter assembly
SUS 304

- For detailed specifications, please see pages 37, 65 & 75.
- The Hand Washing Station can be highly customizable according to customers' needs. Please feel free to contact us for your project requirements.

HK-CSDT Single Top-Filled Auto Soap Dispenser

Our top-filled soap dispenser system is a great match with all kinds of commercial washrooms. We provide single top-filled soap dispenser or a top-filled system suitable for multiple washing stations.

This is the solution to big construction projects and high traffic places.

Imagine the maintenance cost you could save by adopting our smart system!



HK-CSDT11 / 21

Refill soap from the top
Foam and liquid pump interchangeable
Long life cycle
Stable sensing range

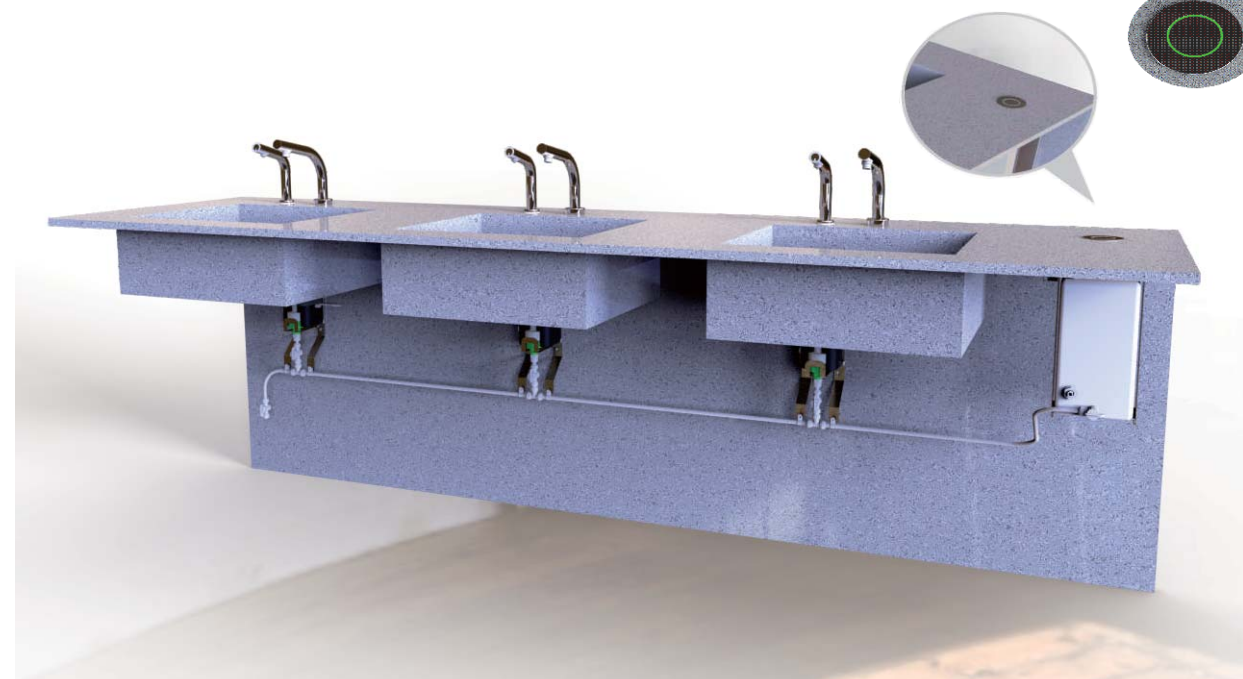
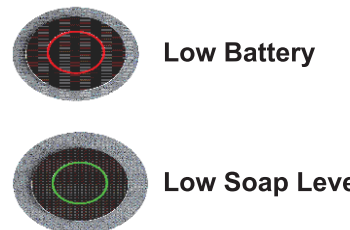


● For detailed specifications, please see page 57.

HK-CSDTM Multi-Feed Auto Soap Dispenser System

- 6 L, 5 L, or 5+2.5 L Soap Tank Capacity
- One System can Supply up to 6 Soap Dispensers
- Soap Overfill Indicator – New Patented Technology
- Low Soap Indicator
- Operated by Gravity (Deliver Soap from Tank to Tube) – Energy Saving

Available Spout Design



● For detailed specifications, please see page 59.

EcoTap-D Hand Washing Station

- Integrated Deck Mounted Design
- LED Ring with Different Colors to Indicate Different Functions
- PVD Spouts Available
- Deck / Wall Mounted Both Available
- IOT Compatible



EcoTap-D SD

Soap Dispenser
Foam, liquid and spray pump
Interchangeable
Long life cycle
SUS 304



EcoTap-D FA

Faucet
Auto detecting sensing range
Long life cycle
SUS 304



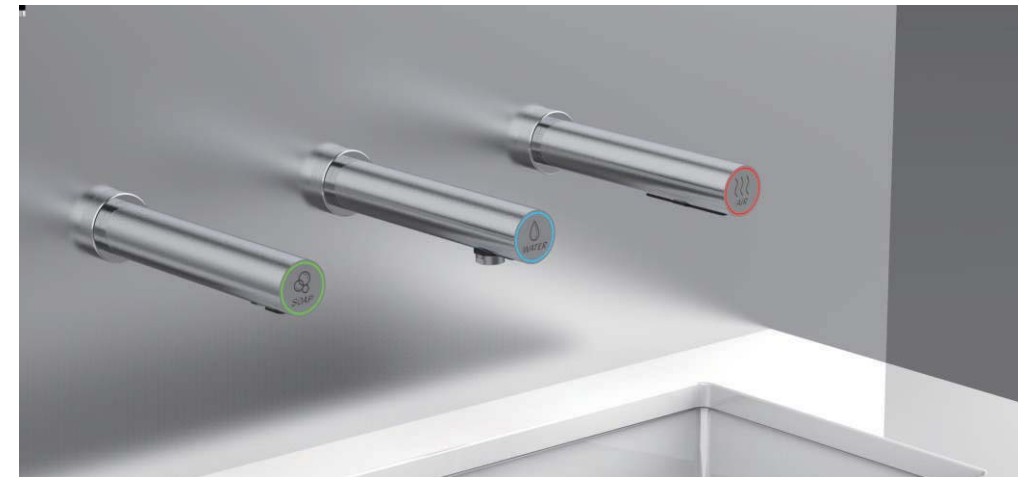
EcoTap-D HD

Hand Dryer
Intelligent temperature control
IP35 water resistant
Carbon filter assembly
SUS 304

● For detailed specifications, please see pages 35, 63 & 71.

EcoTap-W Hand Washing Station

- Integrated Wall Mounted Design
- LED Ring with Different Colors to Indicate Different Functions
- PVD Spouts Available
- Deck / Wall Mounted Both Available
- IOT Compatible



EcoTap-W SD

Soap Dispenser
Foam, liquid and spray pump
Interchangeable
Long life cycle
SUS 304



EcoTap-W FA

Faucet
Auto detecting sensing range
Long life cycle
SUS 304



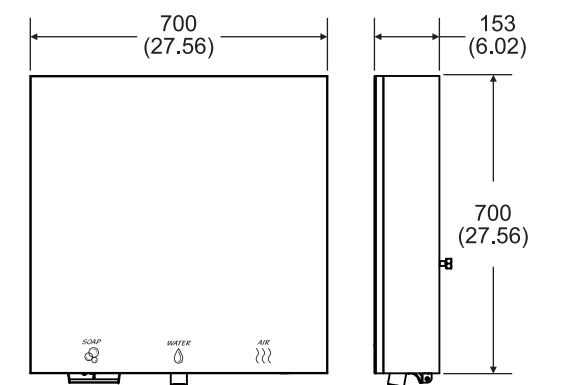
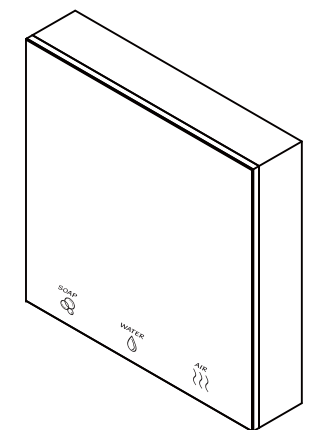
EcoTap-W HD

Hand Dryer
Intelligent temperature control
IP35 water resistant
Carbon filter assembly
SUS 304

● For detailed specifications, please see pages 35, 63 & 71.

Mirror Cabinet (Behind the Mirror)

- LED Icons on the Mirror - Indicating Hand Position
- Quick Installation
- Easy Maintenance
- Mirror Cabinet Customizable



• The hand washing station can be highly customizable according to customers' needs. Please feel free to contact us with your project requirements.

HIGH SPEED HAND DRYER

Full Range of Fast Drying and Eco-Friendly Commercial Hand Dryer



Hokwang provides a full range of high speed hand dryers. Using our eco-friendly high speed hand dryers represents a 95% cost saving when compared to using paper towels. Deck-mounted, semi-recessed and wall-mounted hand dryers are all available in our high speed hand dryer range. We also offer different surface treatments and colors for the covers, for example, PVD, enamel, brushed stainless steel, polished stainless steel, and powder coating to satisfy various needs. The energy saving and fast drying features have made high speed hand dryers a market trend now. They are often being selected for places like airports, train stations, shopping malls, etc., and they are also ideal for washing stations.

EcoHygiene

- Build-in HEPA Filter - Stay Hygiene and Aesthetic
- ADA Compliant - Disabled Friendly
- UVC-LED Light (Optional)
- Plug-in Back Plate (Optional)



EcoHygiene01
Color : White
Material : SUS 430



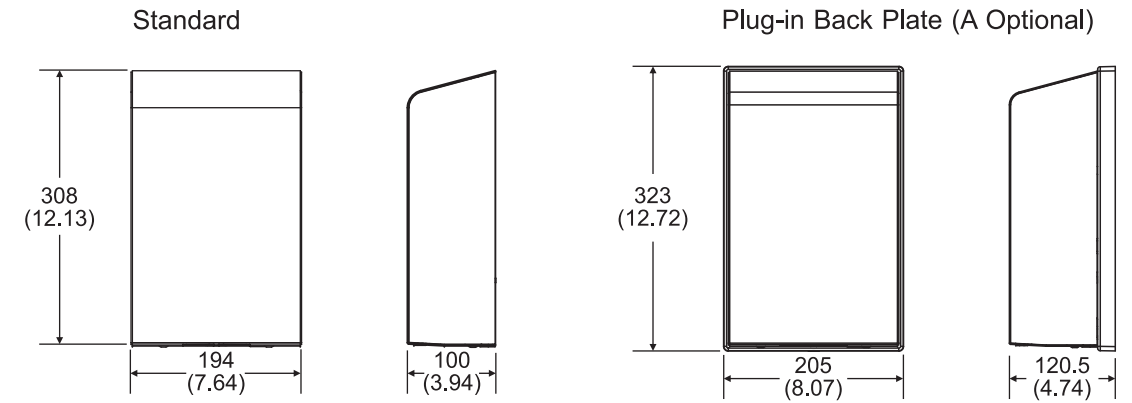
EcoHygiene04
Color : Bright
Material : SUS 304



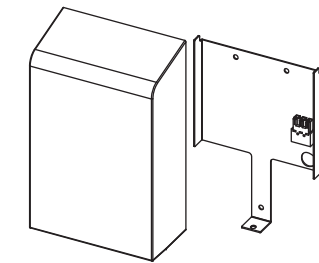
EcoHygiene01B
Color : Matte Black
Material : SUS 430



EcoHygiene05
Color : Satin
Material : SUS 304



Plug-in Back Plate (B Optional)



DIM'S
mm(inch)

Technical Specifications

Voltage	110 - 120 Vac, 50/60 Hz, 0.84 - 1.0 kW 220 - 240 Vac, 50/60 Hz, 0.84 - 1.0 kW
Warm Air Speed Output Dryer Shall Deliver	63 - 89 m/s (141 - 200 mi/hr), adjustable 86 m ³ /h (51 CFM)
Sound Level	MIN 68.6 dB to 72.3 dB MAX @ 1 m
Motor Type	325 - 500 W, 22,000 - 29,000 R.P.M., adjustable, brush motor
Heater Element Power	325 - 500 W, ON / OFF switch available (Only 110-120V)
Drying Time	10 seconds (According to UL hand dryer PCR)
Timing Protection	60 seconds auto shut off
Sensing Range	Standard 170 ± 20 mm (6.69" ± 0.79"), adjustable
Protection Rating	IP24
Package	4 dryers / carton Gross weight: 20.1 Kg. Measurement: 3.9'

PVD Color



EcoSwift

- Smallest Hand Dryer - Suitable for Behind Mirror Installation
- ADA Compliant - Disabled Friendly
- Energy Efficient - Consumes only 1000 watts
- Water Splash Proof - IP24



EcoSwift01

Color : White
Material : SUS 430



EcoSwift04

Color : Bright
Material : SUS 304



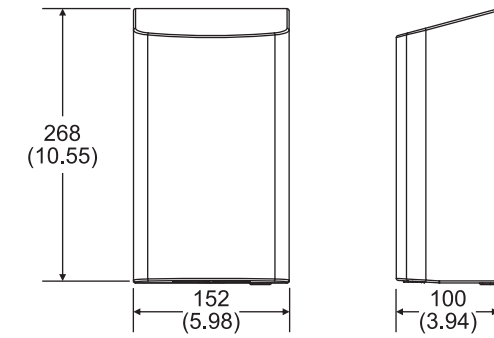
EcoSwift01B

Color : Matte Black
Material : SUS 430



EcoSwift05

Color : Satin
Material : SUS 304



DIM'S
mm(inch)

Technical Specifications

Voltage	110 - 120 Vac, 50/60 Hz, 0.84 - 1.0 kW 220 - 240 Vac, 50/60 Hz, 0.84 - 1.0 kW
Warm Air Speed Output	65 - 92 m/s (145.4 - 205.7 mi/hr), adjustable
Dryer Shall Deliver	89 m ³ /h (52.4 CFM)
Sound Level	MIN 68.6 dB to 72.3 dB MAX @ 1 m
Motor Type	325 - 500 W, 22,000 - 29,000 R.P.M., adjustable, brush motor
Heater Element Power	325 - 500 W, ON / OFF switch available
Drying Time	10 seconds (According to UL hand dryer PCR)
Timing Protection	60 seconds auto shut off
Sensing Range	Standard 170 ± 20 mm (6.69" ± 0.79"), adjustable
Protection Rating	IP24
Package	4 dryers / carton Gross weight: 15.6 Kg. Measurement: 1.9'

PVD Color



HK-JA-LdB

- < 9 sec Drying Time - Extremely Powerful Dryer
- Dual Color LED Lights on the Cover
- Distinguishes Between Standby or Operational Mode
- Various Cover Designs - Including Durable Enamel Coating
- Quiet yet Fast Drying



HK-JA-LdB01
Color : White
Material : Steel



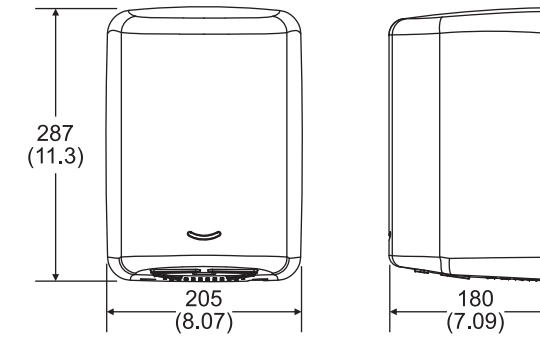
HK-JA-LdB04
Color : Bright
Material : SUS 304



HK-JA-LdB01B
Color : Matte Black
Material : SUS 304



HK-JA-LdB05
Color : Satin
Material : SUS 304



DIM'S
mm(inch)

Technical Specifications

Voltage	110 - 120 Vac, 50/60 Hz, 1.19 - 1.4 kW 220 - 240 Vac, 50/60 Hz, 1.19 - 1.4 kW
Warm Air Speed Output	65 - 95 m/s (145.4 - 212.5 mi/hr), adjustable
Dryer Shall Deliver	108 m ³ /h (64 CFM)
Sound Level	MIN 62.8 dB to 68.2 dB MAX @ 1 m
Motor Type	455 - 700 W, 12,000 - 18,000 R.P.M., adjustable, brush motor
Heater Element Power	455 - 700 W, ON / OFF switch available (120V Only)
Drying Time	9 seconds (According to UL hand dryer PCR)
Timing Protection	60 seconds auto shut off
Sensing Range	Standard 170 ± 20 mm (6.69" ± 0.79"), adjustable
Protection Rating	IP31 or IP33 (Optional)
Package	2 dryers / carton Gross weight: 13.3 Kg. Measurement: 1.9'

PVD Color



HK-JA

- < 8 sec Drying Time - Extremely Powerful Dryer
- Dual Color LED Lights on the Cover
- Distinguishes Between Standby or Operational Mode
- Various Cover Designs - Including Durable Enamel Coating



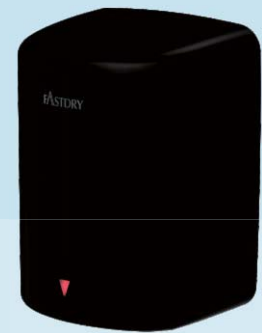
HK-JA01
Color : White
Material : Steel



HK-JA04
Color : Bright
Material : SUS 304



HK-JA04S
Color : Bright
Material : SUS 304



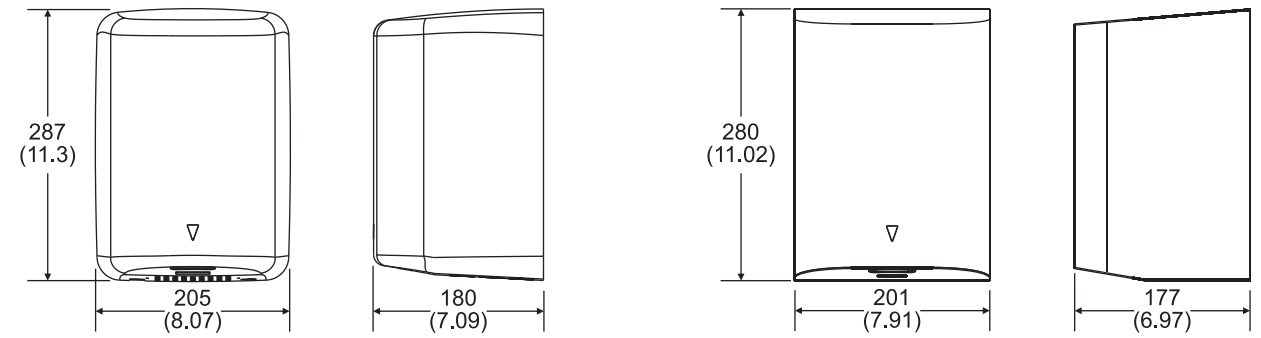
HK-JA01B
Color : Matte Black
Material : SUS 304



HK-JA05
Color : Satin
Material : SUS 304



HK-JA05S
Color : Satin
Material : SUS 304



DIM'S
mm(inch)

Technical Specifications

Voltage	110 - 120 Vac, 50/60 Hz, 1.34 - 1.6 kW 220 - 240 Vac, 50/60 Hz, 1.34 - 1.6 kW
Warm Air Speed Output	75 - 100 m/s (169 - 225 mi/hr), adjustable
Dryer Shall Deliver	125.5 m ³ /h (73.9 CFM)
Sound Level	MIN 70 dB to 73.7 dB MAX @ 1 m
Motor Type	455 - 700 W, 12,000 - 18,000 R.P.M., adjustable, brush motor
Heater Element Power	585 - 900 W, ON / OFF switch available
Drying Time	6 seconds (According to UL hand dryer PCR)
Timing Protection	60 seconds auto shut off
Sensing Range	Standard 170 ± 20 mm (6.69" ± 0.79"), adjustable
Protection Rating	IP21 or IP23 (Optional)
Package	4 dryers / carton Gross weight: 28.2 Kg. Measurement: 3.8'

PVD Color



HK-JA

- < 8 sec Drying Time - Extremely Powerful Dryer
- Dual Color LED Lights on the Cover
- Distinguishes Between Standby or Operational Mode
- Various Cover Designs - Including Durable Enamel Coating



HK-JA

Color : Satin
Material : SUS 304 & ABS



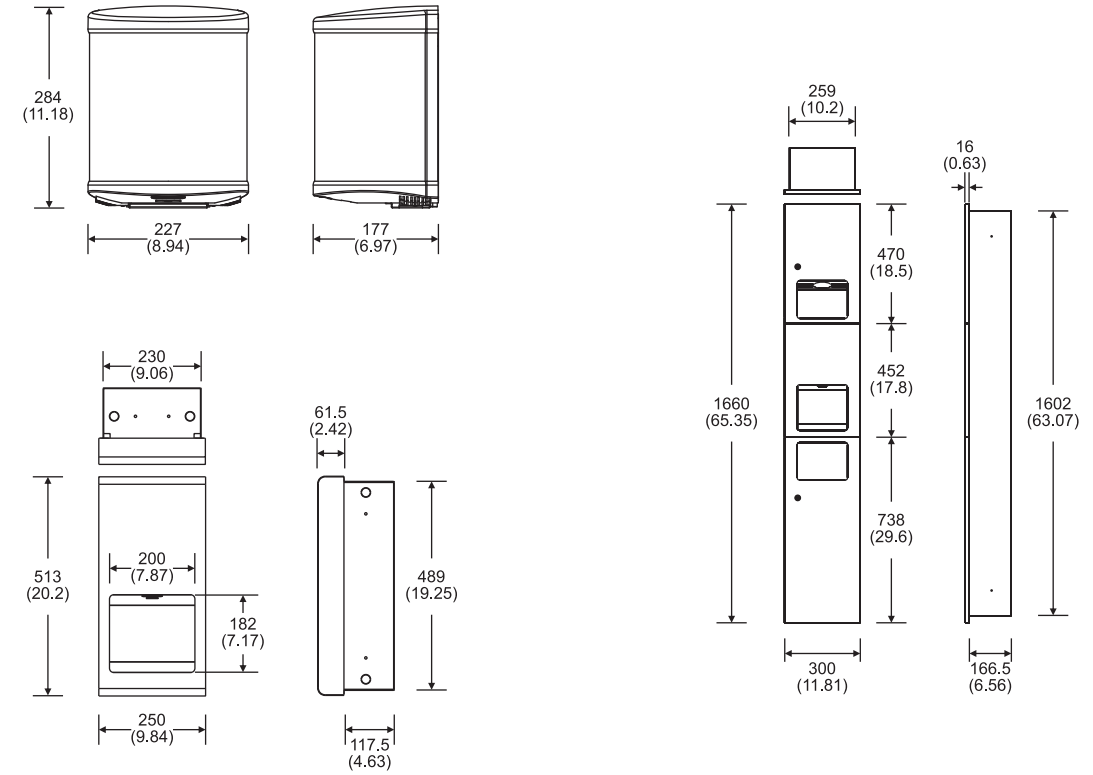
HK-JA(SR)

Color : Satin
Material : SUS 304



HK-JA 3in1

Color : Satin
Material : SUS 304



DIM'S
mm(inch)

Technical Specifications

Voltage	110 - 120 Vac, 50/60 Hz, 1.34 - 1.6 kW 220 - 240 Vac, 50/60 Hz, 1.34 - 1.6 kW
Warm Air Speed Output	75 - 100 m/s (169 - 225 mi/hr), adjustable
Dryer Shall Deliver	125.5 m ³ /h (73.9 CFM)
Sound Level	MIN 70 dB to 73.7 dB MAX @ 1 m
Motor Type	455 - 700 W, 12,000 - 18,000 R.P.M., adjustable, brush motor
Heater Element Power	585 - 900 W, ON / OFF switch available
Drying Time	6 seconds (According to UL hand dryer PCR)
Timing Protection	60 seconds auto shut off
Sensing Range	Standard 170 ± 20 mm (6.69" ± 0.79"), adjustable
Protection Rating	IP21
Package	1 dryer / carton ----HK-JA(SR) & HK-JA 3 in 1 4 dryers / carton ----HK-JA Gross weight: 13.2 Kg. Measurement: 1.5' ----HK-JA(SR) Gross weight: 24.0 Kg. Measurement: 5.9' ----HK-JA 3 in 1 Gross weight: 28.2 Kg. Measurement: 3.8' ----HK-JA

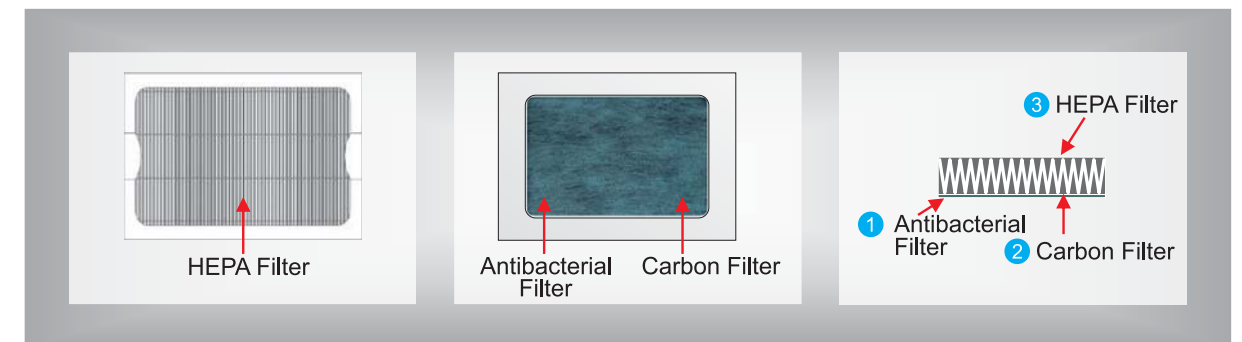
PVD Color



EcoMo



Super Filter Assembly: Eliminates over 99% of any present bacteria



Spacious Drying Area	User-Friendly	Keep Everything Dry
Comfortable Drying	Super HEPA Filter	Green Drying

EcoMo

- Ergonomic Design - Comfortable Drying Posture
- Wheelchair Friendly - ADA Compliant
- Absorbent Ceramic Pad - Prevents Water Overflow
- HEPA + Carbon + Antibacterial Filter - Eliminates 99% Bacteria in the Air



EcoMo11
Color : White
Material : ABS



EcoMo12
Color : Silver
Material : ABS



EcoMo13
Color : White & Gray
Material : ABS



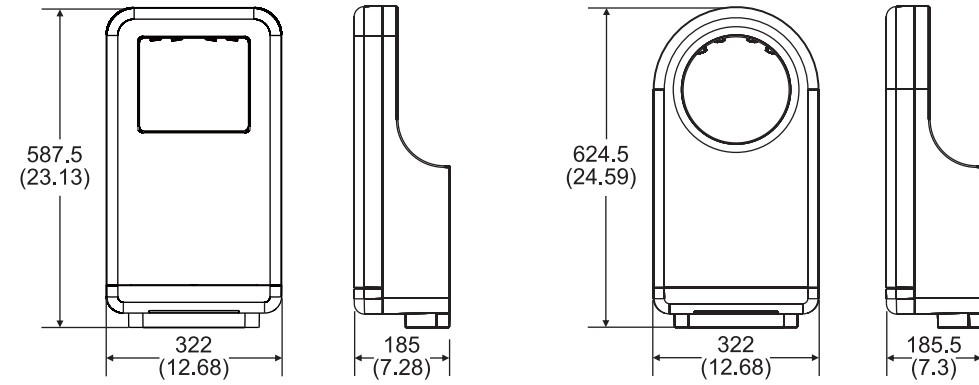
EcoMo21
Color : White
Material : ABS



EcoMo22
Color : Silver
Material : ABS



EcoMo23
Color : White & Gray
Material : ABS



DIM'S
mm(inch)

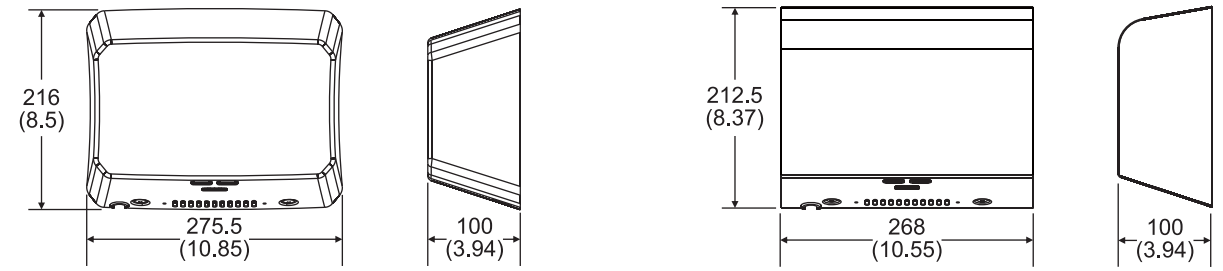
Technical Specifications

Voltage	110 - 120 Vac, 50/60 Hz, 1.34 - 1.6 kW 220 - 240 Vac, 50/60 Hz, 1.34 - 1.6 kW
Warm Air Speed Output	75 - 95 m/s (169 - 212.5 mi/hr), adjustable
Dryer Shall Deliver	137 m ³ /h (80 CFM)
Sound Level	MIN 69.6 dB to 72.8 dB MAX @ 1 m
Motor Type	455 - 700 W, 12,000 - 18,000 R.P.M., adjustable, brush motor
Heater Element Power	585 - 900 W, ON / OFF switch available
Drying Time	9 seconds (According to UL hand dryer PCR)
Timing Protection	60 seconds auto shut off
Sensing Range	Standard 150 ± 20 mm (5.91" ± 0.79"), adjustable
Protection Rating	IP21 or IP24 (Optional)
Package	1 dryer / carton Gross weight: 11.4 Kg. Measurement: 2.6'



EcoSlender

- Sleek Cover Design
- ADA Compliant - Disabled Friendly
- Dual Air Outlets - Provides Wide Drying Area
- Water Splash Proof - IP24



DIM'S
mm(inch)



EcoSlender01
Color : White
Material : Steel



EcoSlender04
Color : Bright
Material : SUS 304



EcoSlender06
Color : Bright
Material : SUS 304



EcoSlender01B
Color : Matte Black
Material : SUS 304



EcoSlender05
Color : Satin
Material : SUS 304



EcoSlender07
Color : Satin
Material : SUS 304

Technical Specifications

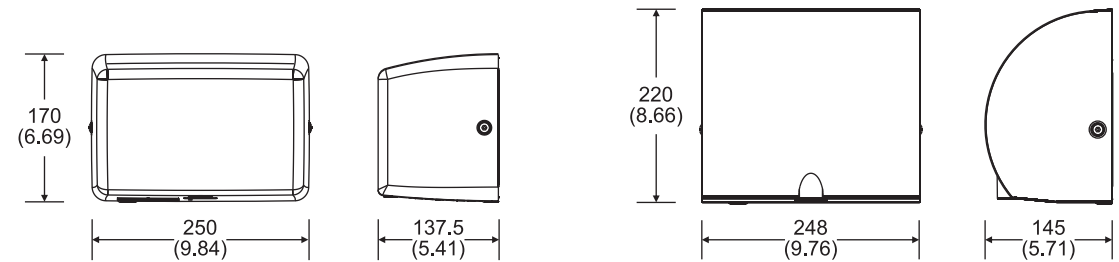
Voltage	110 - 120 Vac, 50/60 Hz, 0.84 - 1.0 kW 220 - 240 Vac, 50/60 Hz, 0.84 - 1.0 kW
Warm Air Speed Output	70 - 82 m/s (156.6 - 183.4 mi/hr), adjustable
Dryer Shall Deliver	105 m ³ /h (62 CFM)
Sound Level	MIN 72.8 dB to 77.6 dB MAX @ 1 m
Motor Type	325 - 500 W, 22,000 - 29,000 R.P.M., adjustable, brush motor
Heater Element Power	325 - 500 W, ON / OFF switch available
Drying Time	12 seconds (According to UL hand dryer PCR)
Timing Protection	60 seconds auto shut off
Sensing Range	Standard 170 ± 20 mm (6.69" ± 0.79"), adjustable
Protection Rating	IP24
Package	4 dryers / carton Gross weight: 17.9 Kg. Measurement: 2.1'

PVD Color



EcoFast-BL (Brushless Motor)

- Specially Designed Brushless Motor for Hand Dryer
- Long Service Life - Three Times Longer than Brush Motor
- Built - In HEPA Filter
- Carbon Free - Suitable for Hygiene and Food Industry



DIM'S
mm(inch)



EcoFast-BL-01
Color : White
Material : Steel



EcoFast-BL-04
Color : Bright
Material : SUS 304



EcoFast SRA-BL
Color : Satin
Material : SUS 304



EcoFast-BL-02
Color : Matte Black
Material : Steel



EcoFast-BL-05
Color : Satin
Material : SUS 304

Technical Specifications

Voltage	110 - 120 Vac, 50/60 Hz, 0.87 - 0.95 kW 220 - 240 Vac, 50/60 Hz, 0.87 - 0.95 kW
Warm Air Speed Output Dryer Shall Deliver	56.5 - 81.8 m/s (116.3 - 201.3 mi/hr), adjustable 92 m ³ /h (54 CFM)
Sound Level	MIN 73 dB to 77 dB MAX @ 1 m
Motor Type	450 W, 20,000 - 28,000 R.P.M., adjustable, brush motor
Heater Element Power	500 W, ON / OFF switch available
Drying Time	9 seconds (According to UL hand dryer PCR)
Timing Protection	60 seconds auto shut off
Sensing Range	Standard 150 ± 20 mm (5.91" ± 0.79"), adjustable
Protection Rating	IP11 or IP13 (Optional)
Package	4 dryers / carton Gross weight: 20.5 Kg. Measurement: 2.3' ---- EcoFast-BL Gross weight: 20.5 Kg. Measurement: 2.3' ---- EcoFast SRA-BL
PVD Color	



EcoFast

- Most Economical High Speed Hand Dryer Choice
- Simple and Compact Design - Sleek and Elegant
- Patented Air Flow Mechanism - Optimizes Air Flow
- Energy Efficient - Consumes Less Power



EcoFast01
Color : White
Material : Steel



EcoFast04
Color : Bright
Material : SUS 304



EcoFast09
Color : Satin
Material : SUS 304



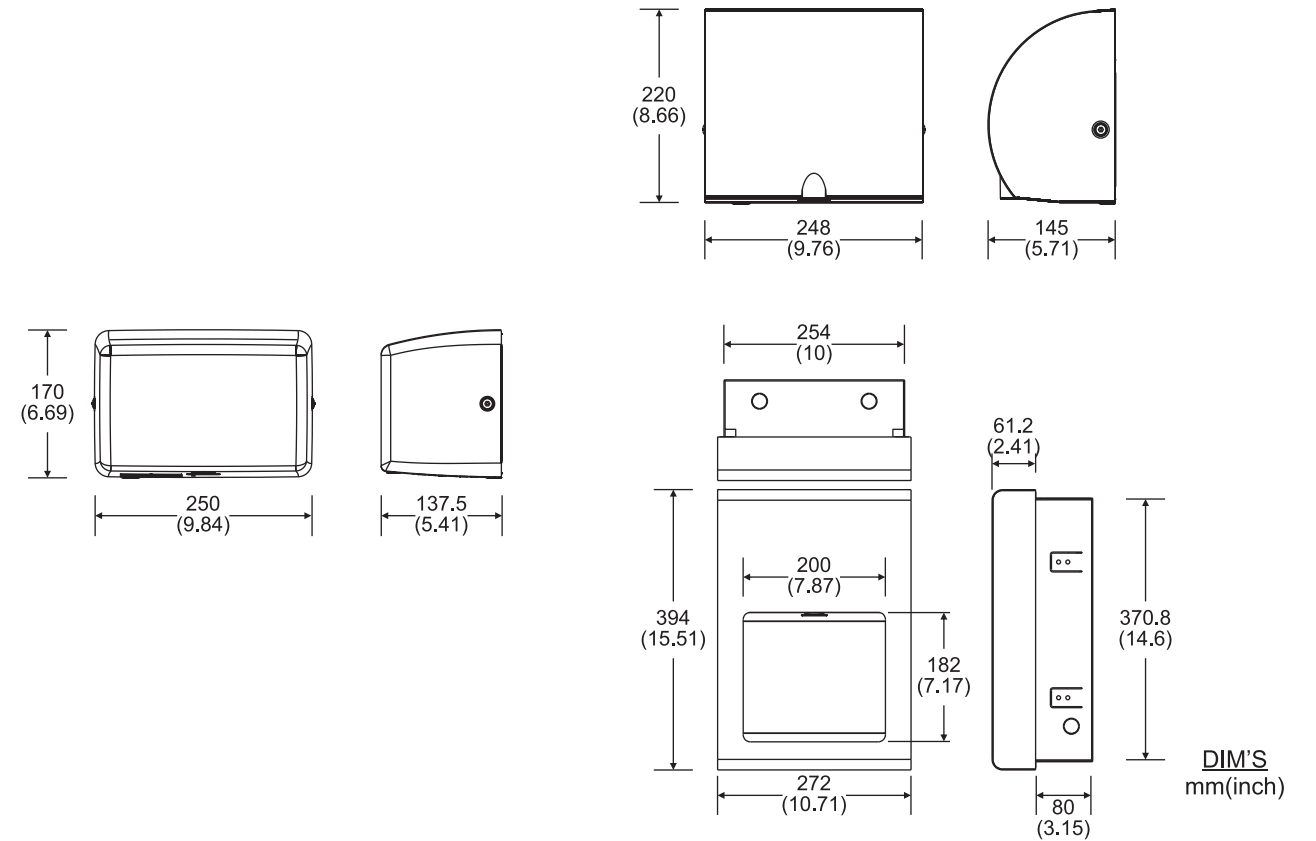
EcoFast01B
Color : Matte Black
Material : Steel



EcoFast05
Color : Satin
Material : SUS 304



EcoFast(SR)
Color : Satin
Material : SUS 304



Technical Specifications

Voltage	110 - 120 Vac, 50/60 Hz, 0.84 - 1.0 kW 220 - 240 Vac, 50/60 Hz, 0.84 - 1.0 kW
Warm Air Speed Output	52 - 90 m/s (116.3 - 201.3 mi/hr), adjustable
Dryer Shall Deliver	102 m ³ /h (60 CFM)
Sound Level	MIN 67.4 dB to 71.2 dB MAX @ 1 m
Motor Type	325 - 500 W, 22,000 - 29,000 R.P.M., adjustable, brush motor
Heater Element Power	325 - 500 W, ON / OFF switch available
Drying Time	9 seconds (According to UL hand dryer PCR)
Timing Protection	60 seconds auto shut off
Sensing Range	Standard 170 ± 20 mm (6.69" ± 0.79"), adjustable
Protection Rating	IP11 or IP13 (Optional)
Package	4 dryers / carton ---- EcoFast 1 dryer / carton ---- EcoFast(SR) Gross weight: 20.5 Kg. Measurement: 2.3' ---- EcoFast Gross weight: 8.0 Kg. Measurement: 0.95' ---- EcoFast(SR)

PVD Color



PENINSULA Hand Dryer

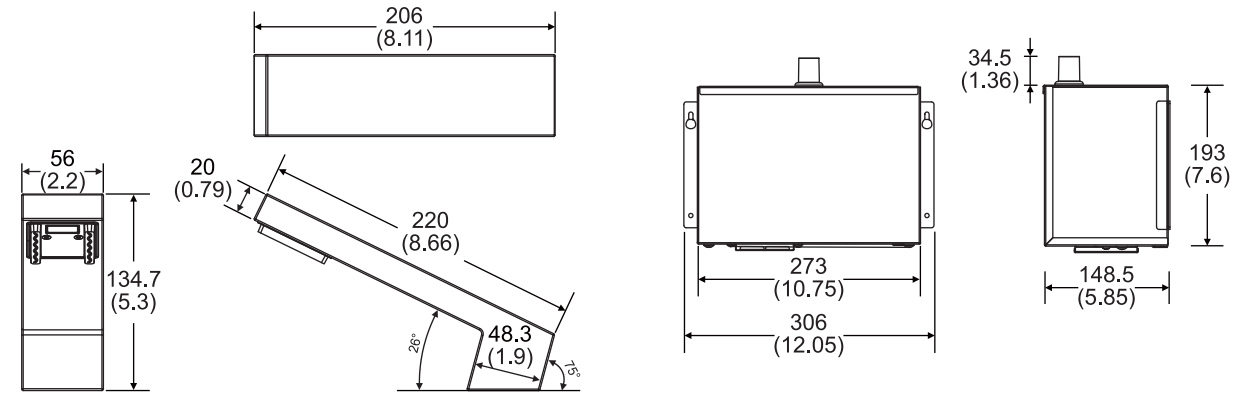
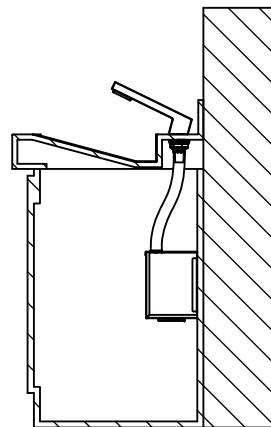
- Smart Temperature Control - Changes with Ambient Temperature
- Quiet and Efficient Drying - Patented Air Outlets
- Integrated Design - Complete Washing Station Look



PENINSULA HD01
Color : Bright
Material : SUS 304



PENINSULA HD01
Color : Satin
Material : SUS 304



DIM'S
mm(inch)

Technical Specifications

Voltage	110 - 120 Vac, 50/60 Hz, 0.84 - 1.0 kW 220 - 240 Vac, 50/60 Hz, 0.84 - 1.0 kW
Warm Air Speed Output	91 - 108 m/s (203.6 - 241.6 mi/hr), adjustable
Dryer Shall Deliver	57 m ³ /h (34 CFM)
Sound Level	MIN 61 dB to 65 dB MAX @ 1 m
Motor Type	325 - 500 W, 22,000 - 29,000 R.P.M., adjustable, brush motor
Heater Element Power	100 - 500 W, depending on room temperature
Drying Time	11 seconds (According to UL hand dryer PCR)
Timing Protection	60 seconds auto shut off
Sensing Range	Standard 130 ± 20 mm (5.12" ± 0.79"), adjustable
Protection Rating	IP35
Package	1 dryer / carton Gross weight: 8.1 Kg. Measurement: 1.7'

PVD Color



EcoTap-D & EcoTap-W Hand Dryer

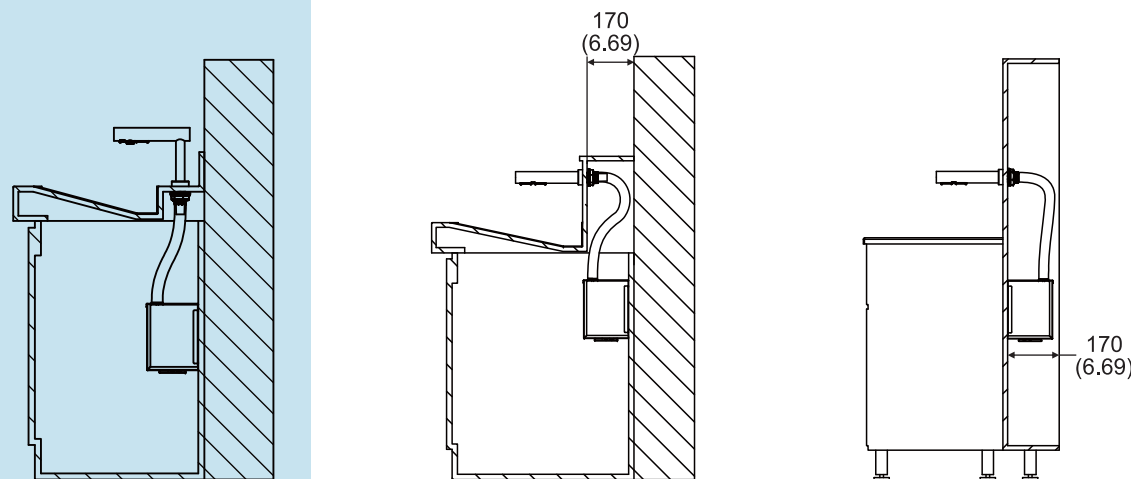
- Smart Temperature Control - Changes with Ambient Temperature
- Quiet and Efficient Drying - Patented Air Outlets
- Integrated Design - Complete Washing Station Look
- Gradient LED Light - Changes Between Standby / Operational Mode



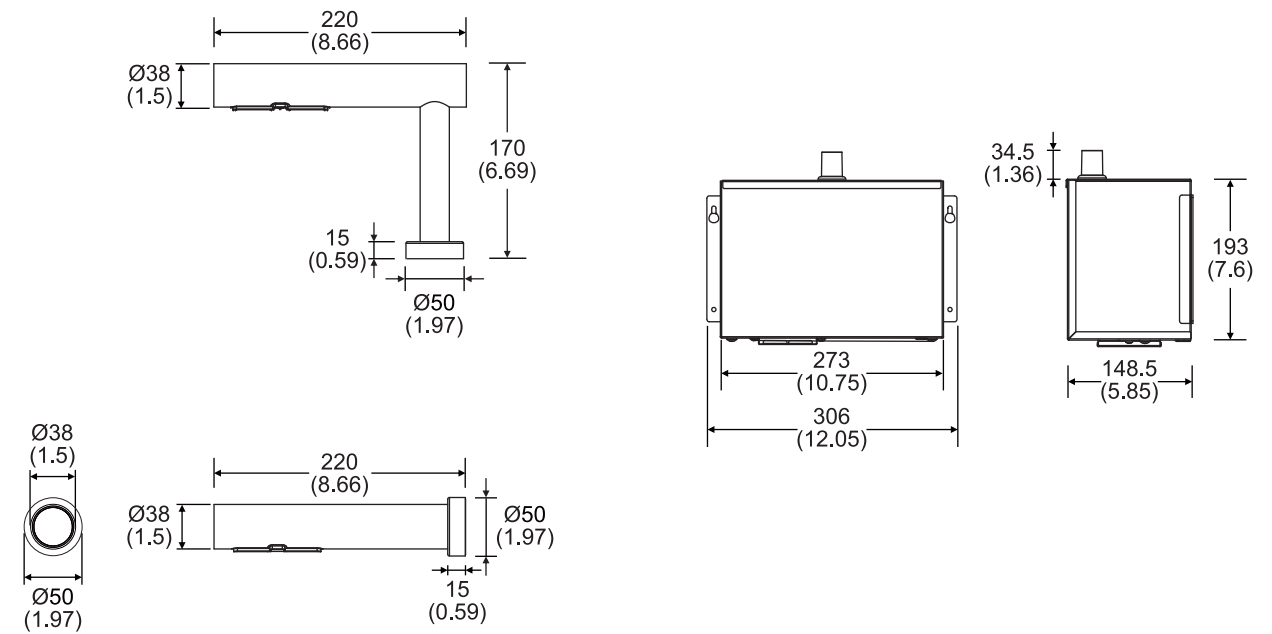
EcoTap-D HD01
Color : Satin
Material : SUS 304



EcoTap-W HD01
Color : Satin
Material : SUS 304



DIM'S
mm(inch)



DIM'S
mm(inch)

Technical Specifications

Voltage	110 - 120 Vac, 50/60 Hz, 0.84 - 1.0 kW 220 - 240 Vac, 50/60 Hz, 0.84 - 1.0 kW
Warm Air Speed Output	84 - 101 m/s (187.9 - 225.9 mi/hr), adjustable
Dryer Shall Deliver	54 m ³ /h (32 CFM)
Sound Level	MIN 58.8 dB to 62.9 dB MAX @ 1 m
Motor Type	325 - 500 W, 22,000 - 29,000 R.P.M., adjustable, brush motor
Heater Element Power	100 - 500 W, depending on room temperature
Drying Time	11 seconds (According to UL hand dryer PCR)
Timing Protection	60 seconds auto shut off
Sensing Range	Standard 130 ± 20 mm (5.12" ± 0.79"), adjustable
Protection Rating	IP35
Package	1 dryer / carton Gross weight: 8.1 Kg. Measurement: 1.7'

PVD Color



InnoWash Hand Dryer

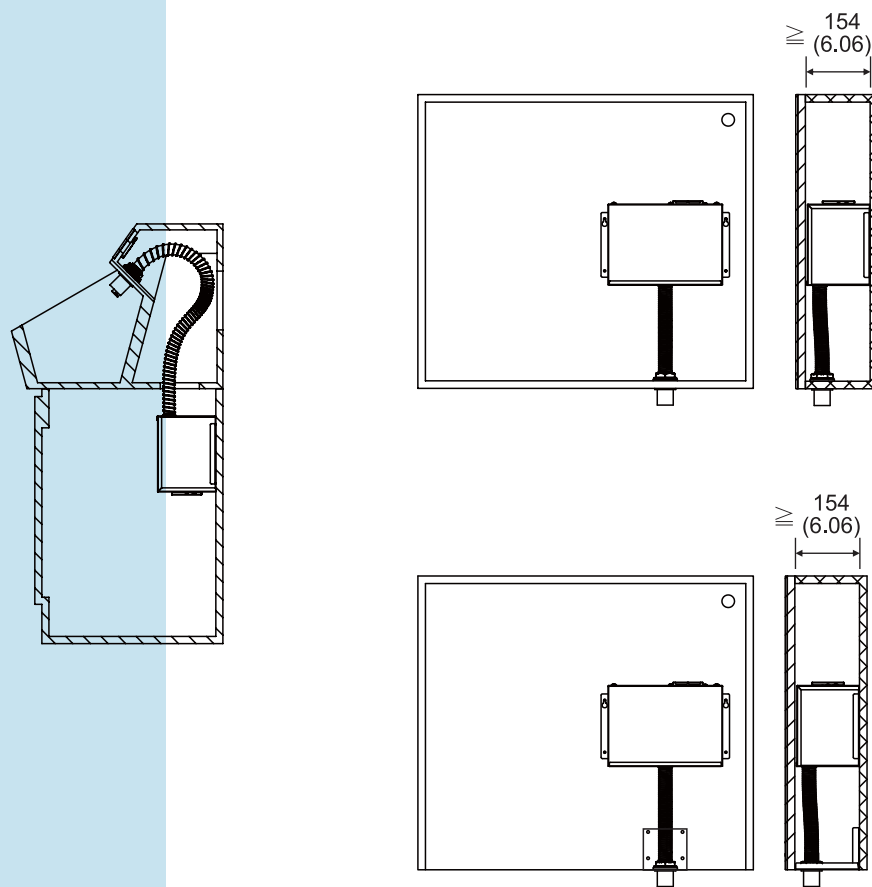
- Smart Temperature Control - Changes with Ambient Temperature
- Quiet and Efficient Drying - Patented Air Outlets
- Integrated Design - Complete Washing Station Look
- Ideal for Behind the Mirror Installation



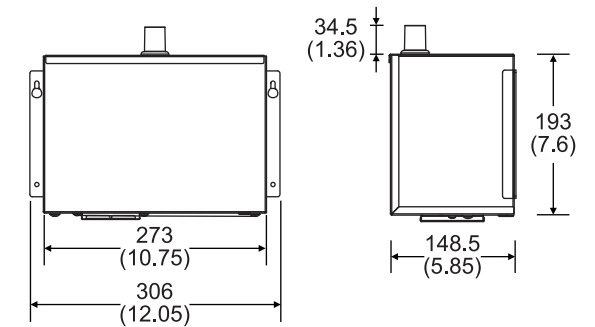
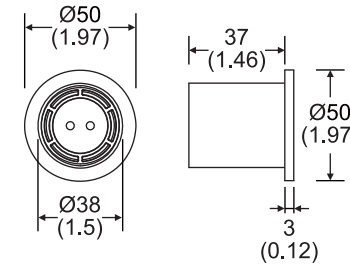
InnoWash HD01
Color : Bright
Material : SUS 304



InnoWash HD01
Color : Satin
Material : SUS 304



DIM'S
mm(inch)



DIM'S
mm(inch)

Technical Specifications

Voltage	110 - 120 Vac, 50/60 Hz, 0.84 - 1.0 kW 220 - 240 Vac, 50/60 Hz, 0.84 - 1.0 kW
Warm Air Speed Output Dryer Shall Deliver	77.3 - 96 m/s (173 - 215 mi/hr), adjustable 57 m ³ /h (34 CFM)
Sound Level	MIN 65.4 dB to 69.6 dB MAX @ 1 m
Motor Type	325 - 500 W, 22,000 - 29,000 R.P.M., adjustable, brush motor
Heater Element Power	100 - 500 W, depending on room temperature
Drying Time	11 seconds (According to UL hand dryer PCR)
Timing Protection	60 seconds auto shut off
Sensing Range	Standard 130 ± 20 mm (5.12" ± 0.79"), adjustable
Protection Rating	IP35
Package	1 dryer / carton Gross weight: 7.2 Kg. Measurement: 1.6'

PVD Color



Installation references. This product can be installed flexibly.

CONVENTIONAL HAND DRYER

Warm Air Traditional Hand Dryer - Induction Motor Available



From 1800 watts to 2400 watts, a full range of conventional hand dryers are available by Hokwang. We offer them in different air volumes, cover designs and material. There are stainless steel, aluminum, enamel coated steel and plastic covers to choose from. Moreover, the induction motors in conventional hand dryers last more than 10 years.

Different from high speed hand dryers, a conventional dryer gives you warm and gentle air, which adds to the user experience, and makes the whole drying process more pleasant and comfortable, especially in cold areas. The smoother air flow also helps keeping noise level down. Conventional hand dryers still are a popular choice in primary schools and kindergartens.

HK-1800

- Most Economical Choice
- Quiet and Warm Breeze - Child Friendly
- Long Service Life - Easy to Maintain
- Adjustable Sensing Range
- Triple Thermal Protections



HK-1800PA
Color : White
Material : ABS



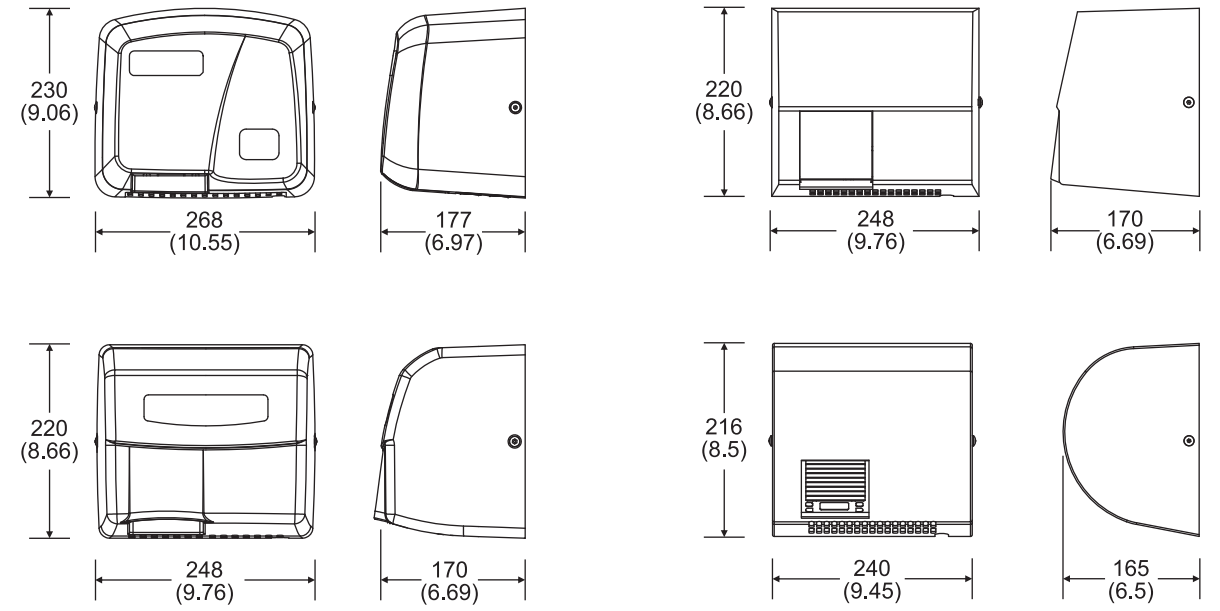
HK-1800SA
Color : Satin
Material : SUS 304



HK-1800EA
Color : White
Material : Aluminum



HK-1800SRA
Color : Satin
Material : SUS 304



DIM'S
mm(inch)

Technical Specifications

Voltage	110 - 120 Vac, 50/60 Hz, 1.5 - 1.8 kW 220 - 240 Vac, 50/60 Hz, 1.5 - 1.8 kW
Warm Air Speed Output	14.5 m/s (32.4 mi/hr)
Dryer Shall Deliver	255 m ³ /h (150 CFM)
Sound Level	63 ± 3 dB @ 1 m
Motor Type	100 W, 2,850 R.P.M., induction motor
Heater Element Power	1700 W
Drying Time	Approximately 30 - 35 seconds
Timing Protection	60 seconds auto shut off
Sensing Range	Standard 180 ± 20 mm (7.08" ± 0.79"), adjustable
Protection Rating	IP21
Package	4 dryers / carton Gross weight: 23.8 Kg. Measurement: 3.1' Gross weight: 17.0 Kg. Measurement: 2.5' ----HK-1800PA

PVD Color



HK-2200

- Long Service Life - Easy to Maintain
- Multiple Cover Designs
- Quiet Operation & Warm Air
- Adjustable Sensing Range
- Triple Thermal Protections



HK-2200EA
Color : White
Material : Aluminum



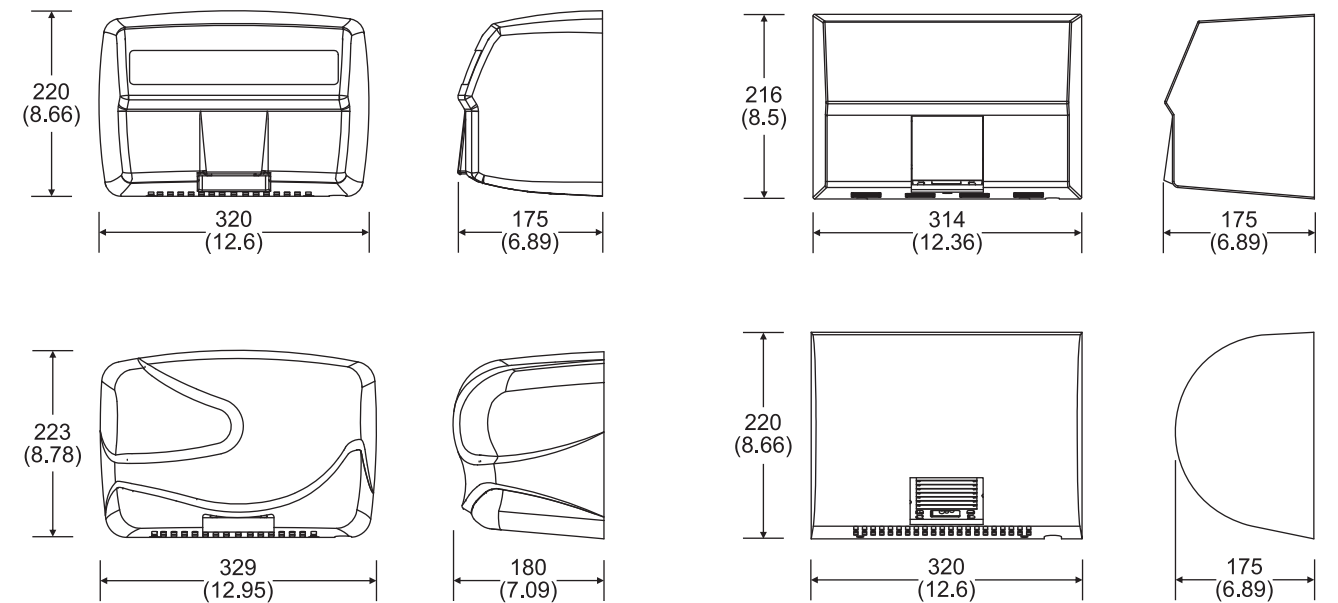
HK-2200SA
Color : Satin
Material : SUS 304



HK-2200LA
Color : White
Material : Aluminum



HK-2200SRA
Color : Satin
Material : SUS 304



DIM'S
mm(inch)

Technical Specifications

Voltage	110 - 120 Vac, 50/60 Hz, 1.8 - 2.2 kW 220 - 240 Vac, 50/60 Hz, 1.8 - 2.2 kW
Warm Air Speed Output	14.5 m/s (32.4 mi/hr)
Dryer Shall Deliver	255 m ³ /h (150 CFM)
Sound Level	63 ± 3 dB @ 1 m
Motor Type	100 W, 2,850 R.P.M., induction motor
Heater Element Power	2100 W
Drying Time	Approximately 30 - 35 seconds
Timing Protection	60 seconds auto shut off
Sensing Range	Standard 180 ± 20 mm (7.08" ± 0.79"), adjustable
Protection Rating	IP21
Package	4 dryers / carton ---- HK-2200EA, HK-2200LA 2 dryers / carton ---- HK-2200SA, HK-2200SRA Gross weight: 27.4 Kg. Measurement: 3.8' ---- HK-2200EA, HK-2200LA Gross weight: 15.8 Kg. Measurement: 1.9' ---- HK-2200SA, HK-2200SRA

PVD Color



HK-2400

- Long Service Life - Easy to Maintain
- Vandal Resistant - Durable Design
- Comfortable Warmth in Big Air Volume - Best for Cold Areas
- Rotatable Nozzle Available



HK-2400PA

Color : White Procelain Enameled
Material : Steel



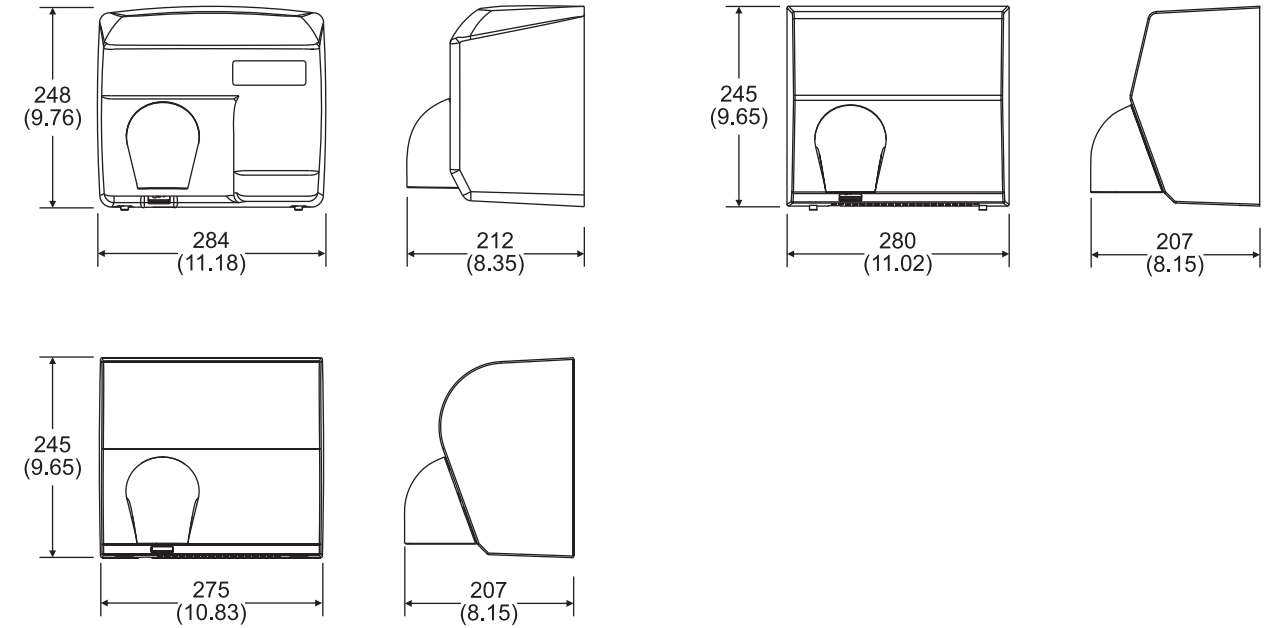
HK-2400SA

Color : Satin
Material : SUS 304



HK-2400SAN

Color : Satin
Material : SUS 304



DIM'S
mm(inch)

Technical Specifications

Voltage	110 - 120 Vac, 50/60 Hz, 2.0 - 2.4 kW 220 - 240 Vac, 50/60 Hz, 2.0 - 2.4 kW
Warm Air Speed Output	28 m/s (63 mi/hr)
Dryer Shall Deliver	345 m ³ /h (202 CFM)
Sound Level	70 ± 5 dB @ 1 m
Motor Type	200 W, 5,500 R.P.M., induction motor
Heater Element Power	2200 W
Drying Time	Approximately 20 - 25 seconds
Timing Protection	60 seconds auto shut off
Sensing Range	Standard 180 ± 20 mm (7.08" ± 0.79"), adjustable
Protection Rating	IP21 or IP23 (Optional)
Package	2 dryers / carton Gross weight: 17.8 Kg. Measurement: 2.4'

PVD Color



AUTO SOAP DISPENSER

Foam/ Liquid/ Sanitizer Touchless Soap Dispenser

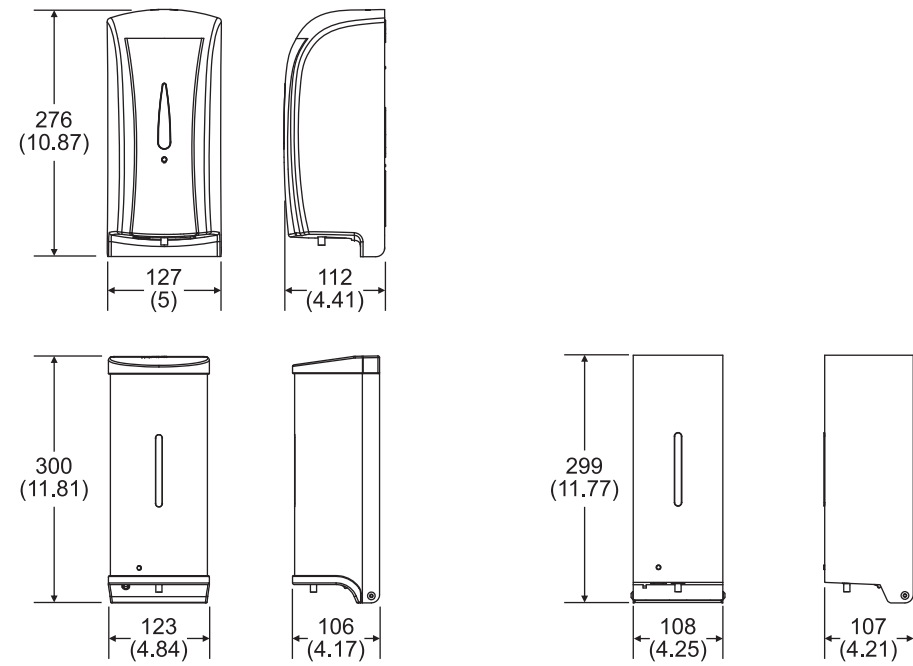


A complete range of commercial foam soap, liquid soap and sanitizer dispensers can be found at Hokwang. To accommodate different installation locations, there are wall mounted and deck mounted auto soap dispensers to choose from. We also provide a top filled system that can supply to multiple soap dispensers. Hokwang has the best and the most eco-friendly solutions for commercial auto soap dispensers.

On some models, different soap pumps are interchangeable for flexible purposes and reduce the cost of inventory. Both refillable soap tank and disposable soap bag are available.

Multi - Function Soap Dispenser PLUS

- Interchangeable Pumps - Liquid, Foam and Spray
- Alcohol Resistant Pumps - Flexible Soap Choices
- Refillable Soap Tank - Environmentally Friendly
- Large Capacity - 1000 ml and 1200 ml
- Disposable Soap Bag Available



DIM'S
mm(inch)



HK-SSD PLUS11 / 21 / 31

Color : White
Material : ABS
Power : DC / AC



HK-MSD PLUS11 / 21 / 31

Color : Satin
Material : SUS 304 & ABS
Power : DC / AC



HK-MSD PLUS12S / 22S / 32S

Color : Satin
Material : SUS 304
Power : DC / AC

Technical Specifications

Power Source	Alkaline (1.5V) AA size x 4 or AC type
Battery Life	Liquid type : 25,000 cycles or one year (Only DC) Foam type : 25,000 cycles or one year (Only DC) Disinfectant spray : 16,000 cycles or one year (Only DC)
Soap Pump Life	200,000 cycles
Dispensing Volume	Liquid : 0.8 - 1.1 ml (0.027 - 0.037 fl oz) Foam : 0.7 - 1.0 ml (0.023 - 0.033 fl oz) Disinfectant spray : 0.8 - 1.1 ml (0.027 - 0.037 fl oz)
Viscosity	Liquid : 1 - 3000 cps (mPa.s) Foam : 1 - 5 cps (mPa.s)
Soap Tank Capacity	1200 ml (40.58 fl oz) ----HK-SSD PLUS 1000 ml (33.81 fl oz)
Sensing Range	Standard 120 ± 20 mm (4.72" ± 0.79"), auto-detecting ----HK-SSD PLUS Standard 75 ± 15 mm (2.95" ± 0.59"), auto-detecting
Battery Low	Flashing blue light (Only DC)
Package	12 dispensers / carton Gross weight: 11.8 Kg. Measurement: 2.79' ----HK-SSD PLUS Gross weight: 16.8 Kg. Measurement: 2.08' ----HK-MSD PLUS Gross weight: 19.0 Kg. Measurement: 2.08' ----HK-MSD S PLUS

PVD Color

CE EMC LVD RoHS WEEE

Multi - Function Soap Dispenser

- Interchangeable Pumps - Liquid, Foam and Spray
- Alcohol Resistant Pumps - Flexible Soap Choices
- Refillable Soap Tank - Environmentally Friendly
- Different Capacities - 500 ml and 800 ml
- Disposable Soap Bag Available



Interchangeable soap pump system



Liquid Soap



Foam Soap



Disinfectant Spray



HK-SSD11 / 21 / 31

Color : White
Material : ABS
Power : DC / AC



HK-SSD11S / 21S / 31S

Color : Satin
Material : SUS 304
Power : DC / AC



HK-MSD11 / 21 / 31

Color : Satin
Material : SUS 304 & ABS
Power : DC / AC



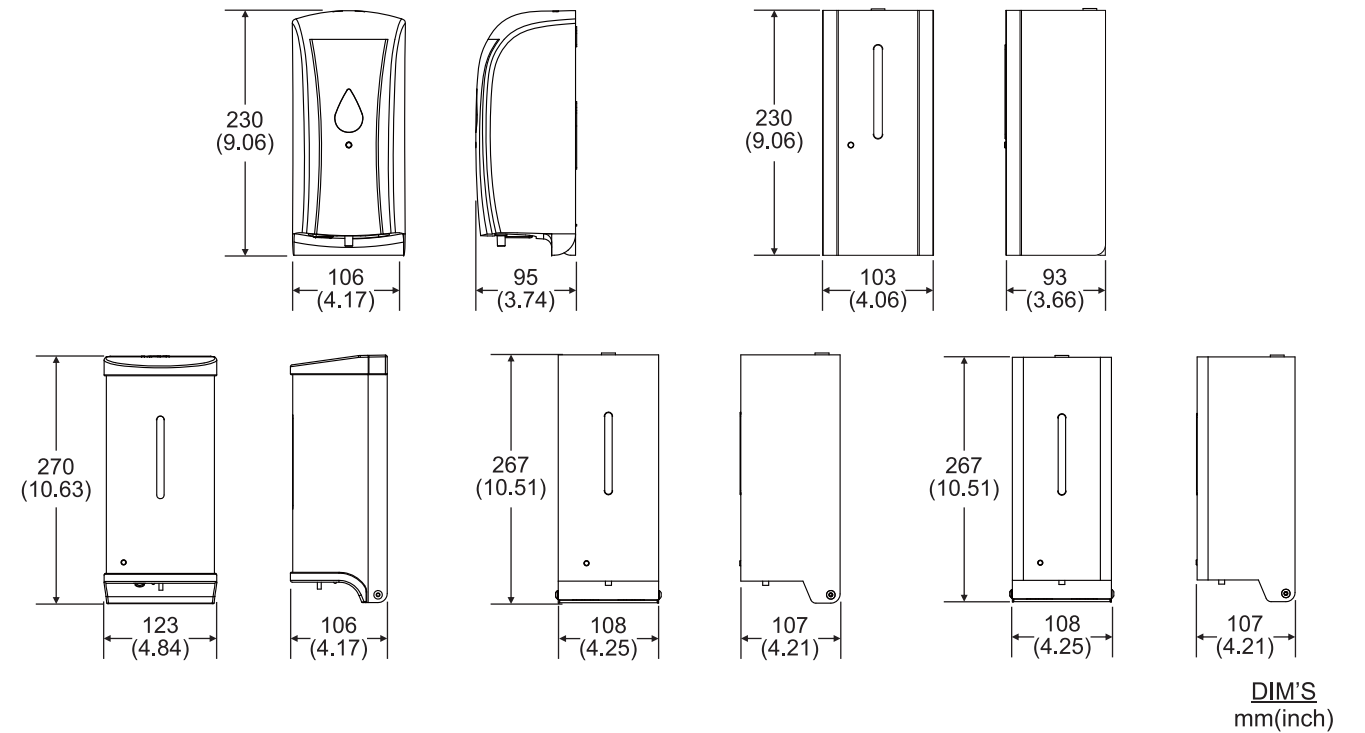
HK-MSD12S / 22S / 32S

Color : Satin
Material : SUS 304
Power : DC / AC



HK-MSD12R / 22R / 32R

Color : Satin
Material : SUS 304
Power : DC / AC



Technical Specifications

Power Source	Alkaline (1.5V) AA size x 4 or AC type
Battery Life	Liquid type : 25,000 cycles or one year (Only DC) Foam type : 25,000 cycles or one year (Only DC) Disinfectant spray : 16,000 cycles or one year (Only DC)
Soap Pump Life	200,000 cycles
Dispensing Volume	Liquid : 0.8 - 1.1 ml (0.027 - 0.037 fl oz) Foam : 0.7 - 1.0 ml (0.023 - 0.033 fl oz) Disinfectant spray : 0.8 - 1.1 ml (0.027 - 0.037 fl oz)
Viscosity	Liquid : 1 - 3000 cps (mPa.s) Foam : 1 - 5 cps (mPa.s)
Soap Tank Capacity	500 ml (17 fl oz) ---- HK-SSD Series 800 ml (27 fl oz) ---- HK-MSD Series
Sensing Range	Standard 120 ± 20 mm (4.72" ± 0.79"), auto-detecting ---- HK-SSD Series Standard 75 ± 15 mm (2.95" ± 0.59"), auto-detecting ---- HK-MSD Series
Battery Low	Flashing blue light (Only DC)
Package	10 dispensers / carton ----HK-SSD Series 12 dispensers / carton ----HK-MSD Series Gross weight: 9.0 Kg. Measurement: 1.3' ----HK-SSD Gross weight: 10.0 Kg. Measurement: 1.3' ----HK-SSD S Gross weight: 15.2 Kg. Measurement: 2.4' ----HK-MSD Gross weight: 17.7 Kg. Measurement: 2.4' ----HK-MSD R, HK-MSD S
PVD Color	

Liquid Soap Dispenser

- Hygienic - Hands Free Operation
- Suitable for Liquid Soap, Alcohol Sanitizer, Even Dishwashing Solution
- Refillable Soap Tank - Environmentally Friendly
- Long Service Life
- Easy to Clean and Maintain



HK-800DA

Color : White
Material : ABS
Power : DC



HK-950DA

Color : White
Material : ABS
Power : DC



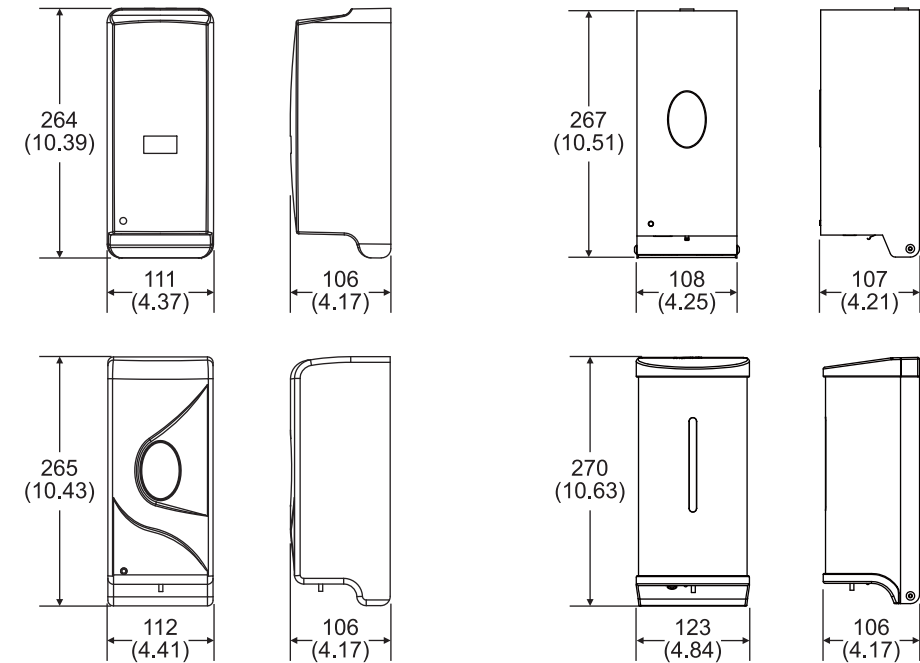
HK-950SA

Color : Satin
Material : SUS 304
Power : DC / AC



HK-RSD

Color : Satin
Material : SUS 304 & ABS
Power : DC / AC



DIM'S
mm(inch)

Technical Specifications

Power Source	Alkaline (1.5V) C size x 3 ---- HK-800DA, HK-950DA Alkaline (1.5V) C size x 3 or AC Type ---- HK-950SA Alkaline (1.5V) AA size x 4 or AC Type ----HK-RSD
Battery Life	145,000 drops / cycles or one year (Only DC)
Tube Life	200,000 drops / cycles
Dispensing Volume	0.9 - 1.1 ml (0.030 - 0.037 fl oz)
Viscosity	1 - 3000 cps (mPa.s)
Soap Tank Capacity	950 ml (32 fl oz) ----HK-800DA, HK-950DA 800 ml (27 fl oz) ----HK-950SA, HK-RSD
Sensing Range	Standard 75 ± 15 mm (2.95" ± 0.59"), auto-detecting
Battery Low	Flashing blue light (Only DC)
Package	12 dispensers / carton Gross weight: 12.0 Kg. Measurement: 2.4' ----HK-800DA, HK-950DA Gross weight: 15.2 Kg. Measurement: 2.4' ----HK-RSD Gross weight: 17.6 Kg. Measurement: 2.4' ----HK-950SA

PVD Color

CE EMC LVD RoHS WEEE

HK-CSD

- Simple yet Elegant Spout Designs - Also Customizable
- Interchangeable Pumps - Liquid, Foam and Spray
- Up to 3L Refillable Soap Tank - Environmentally Friendly
- Low Soap / Battery LED Indicator



HK-CSD13 / 23 / 33

Color : Satin
Material : SUS 304
Power : DC / AC



HK-CSD13R / 23R / 33R

Color : Satin
Material : SUS 304
Power : AC



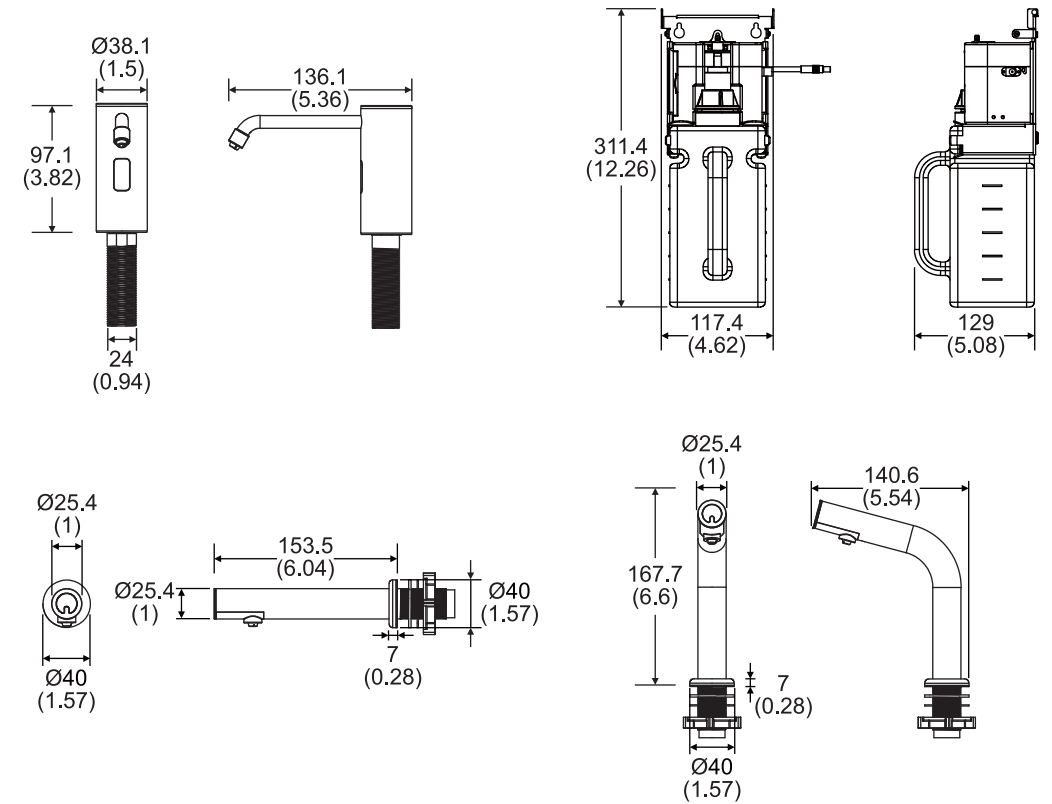
HK-CSD14R / 24R / 34R

Color : Satin
Material : SUS 304
Power : AC



HK-CSD15R / 25R / 35R

Color : Satin
Material : SUS 304
Power : AC



DIM'S
mm(inch)

Technical Specifications

Power Source	Alkaline (1.5V) AA size x 4 or AC type
Battery Life	Liquid type : 20,000 cycles or one year (Only DC) Foam type : 20,000 cycles or one year (Only DC) Disinfectant spray : 15,000 cycles or one year (Only DC)
Dispensing Volume	Liquid type : 1 - 1.2 ml (0.033 - 0.040 fl oz) Foam type : 0.6 - 0.8 ml (0.020 - 0.027 fl oz) Disinfectant spray : 1 - 1.2 ml (0.033 - 0.040 fl oz)
Viscosity	Liquid : 1 - 3000 cps (mPa.s) Foam : 1 - 5 cps (mPa.s)
Soap Tank Capacity	1500 or 3000 ml (50.7 fl oz or 101.4 fl oz) (Optional)
Sensing Range	Standard 150 ± 20 mm (5.91" ± 0.79") ----HK-CSDX3, HK-CSDX3R Standard 100 ± 20 mm (3.94" ± 0.79") ----HK-CSDX4R, HK-CSDX5R
Standby	Solid red light (Only R Series)
Battery Low	Flashing red light (Only DC)
Soap Low	Flashing green light
Soap Pump Clogged	Solid green light
Package	6 dispensers / carton Gross weight: 10.0 Kg. Measurement: 2.3'



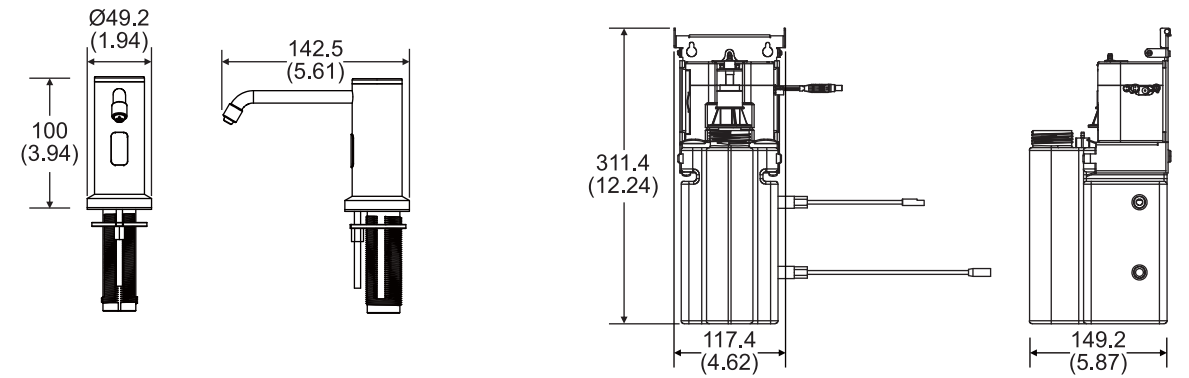
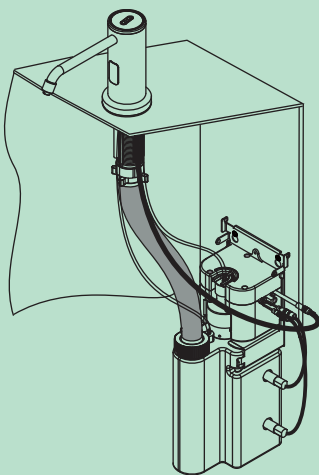
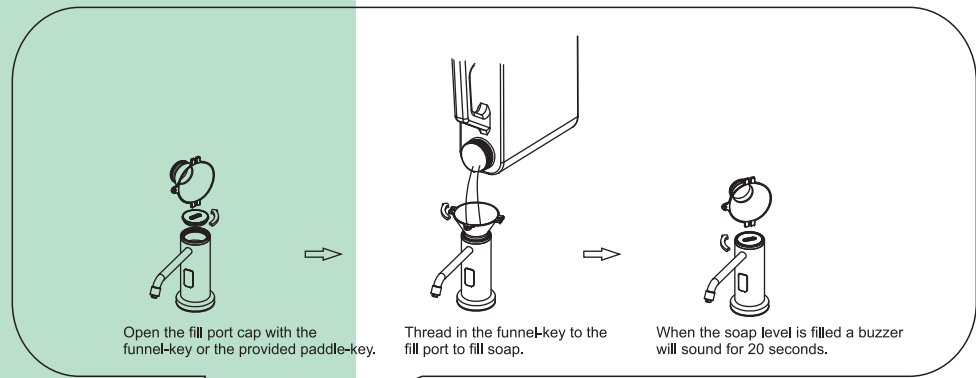
HK-CSDT

- Refilled from the Top - Less Maintenance Effort
- Special Fill Port Opening Key - Easier Refilling and Prevent Vandalism
- Low Soap LED Indicator
- Soap Overflow Indicator - New Patented Technology



HK-CSDT11 / 21 / 31

Color : Bright
 Material : SUS 316
 Power : AC



DIM'S
 mm(inch)

Technical Specifications

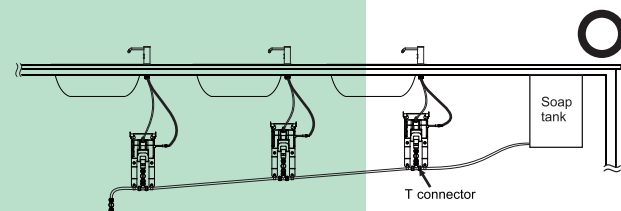
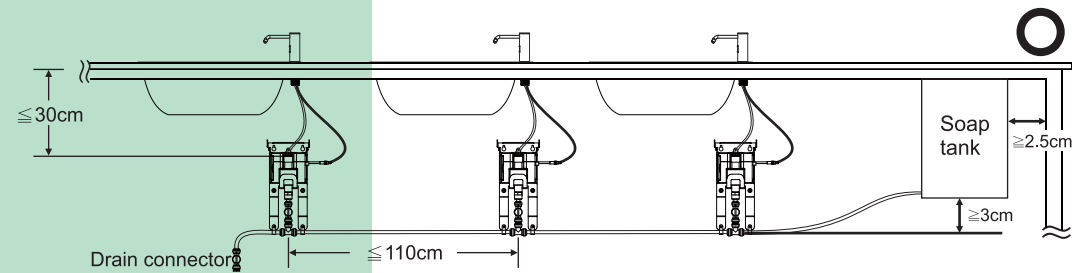
Power Source	AC type
Dispensing Volume	Liquid type : 1 - 1.2 ml (0.033 - 0.040 fl oz) Foam type : 0.6 - 0.8 ml (0.020 - 0.027 fl oz)
Viscosity	Liquid : 1 - 3000 cps (mPa.s) Foam : 1 - 5 cps (mPa.s)
Soap Tank Capacity	1500 ml (50.7 fl oz)
Sensing Range	Standard 150 ± 20 mm (5.91" ± 0.79")
Soap Low	Flashing green light
Soap Pump Clogged	Solid green light
Package	6 dispensers / carton Gross weight: 8.2 Kg. Measurement: 2.3'

PVD Color

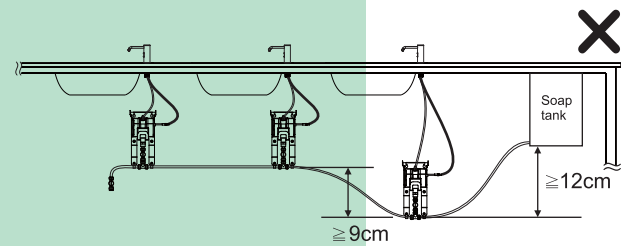
CE UK CA EMC LVD RoHS WEEE

HK-CSDTM

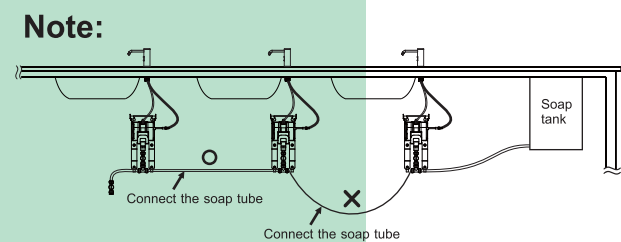
- Multiple Soap tank Capacities and Installation (6 L, 5 L, or 5+2.5 L)
- One System can Supply up to 6 Soap Dispensers
- Low Soap Indicator
- Operated by Gravity (Deliver Soap from Tank to Tube) - Energy Saving



If each soap station cannot be leveled, the one further from the soap tank has to be lower than its preceding one.



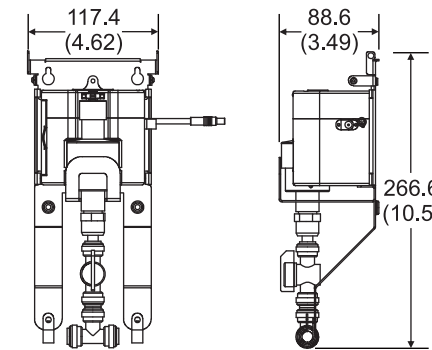
If the further one is higher than the preceding one, it may disallow the soap from flowing properly to the next station.



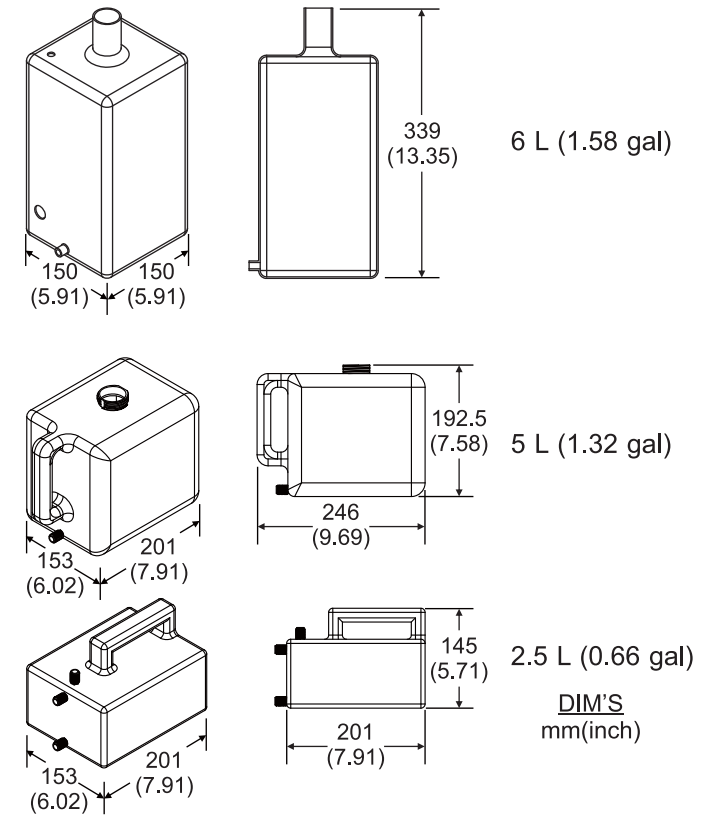
Note:

Use suitable length of soap tube to keep it straight. Do not bend the soap tube.

Mechanism

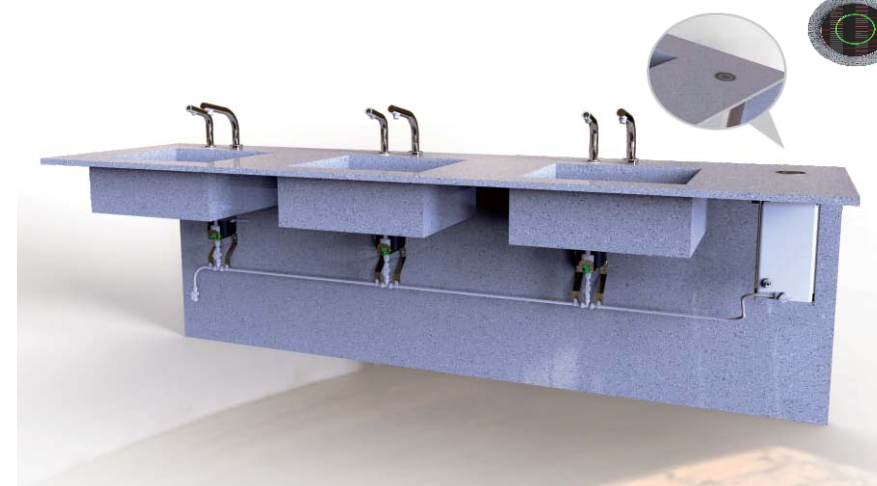
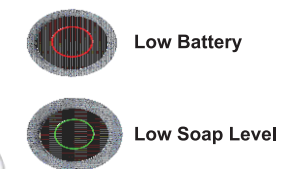


Soap Tank



Technical Specifications

Power Source	Alkaline (1.5V) D size x 4 or AC type (Optional)
Capacity	6 L or 2.5+5 L (1.58 gal or 0.66+1.32 gal) (Optional)
Power Indicator	Red light lights on for 3 seconds
Low Power Indicator	Red light flashing (Only when using batteries)
Low Soap Level Indicator	Green light starts to flash when soap level is below 25~30%
Full Soap Indicator	Green light stops flashing, an audible signal goes on for 15 sec
Package	1 set / carton Gross weight: 3.0 Kg. Measurement: 0.6'



PENINSULA Soap Dispenser

- Simple yet Elegant Spout Designs - Also Customizable
- Interchangeable Pumps - Liquid, Foam and Spray
- Up to 3L Refillable Soap Tank - Environmentally Friendly
- Easy to Clean and Maintain



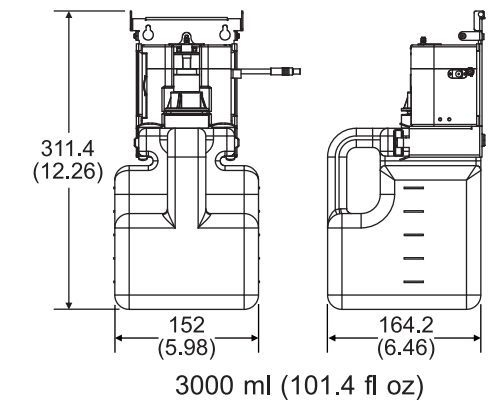
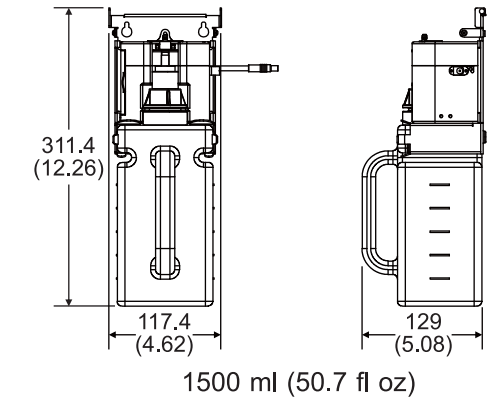
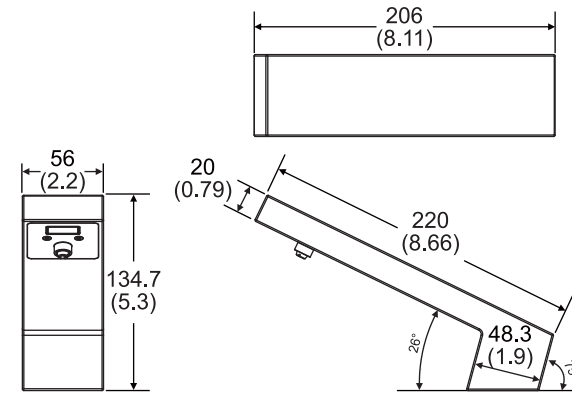
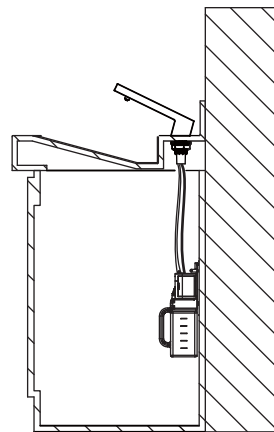
PENINSULA SD11 / 21 / 31

Color : Bright
Material : SUS 304
Power : AC



PENINSULA SD11 / 21 / 31

Color : Satin
Material : SUS 304
Power : AC



DIM'S
mm(inch)

Technical Specifications

Power Source	AC type
Dispensing Volume	Liquid type : 1 - 1.2 ml (0.033 - 0.040 fl oz) Foam type : 0.6 - 0.8 ml (0.020 - 0.027 fl oz) Disinfectant spray : 1 - 1.2 ml (0.033 - 0.040 fl oz)
Viscosity	Liquid : 1 - 3000 cps (mPa.s) Foam : 1 - 5 cps (mPa.s)
Soap Tank Capacity	1500 or 3000 ml (50.7 fl oz or 101.4 fl oz) (Optional)
Sensing Range	Standard 120 ± 20 mm (4.72" ± 0.79")
Package	6 dispensers / carton Gross weight: 13.0 Kg. Measurement: 4.6'

PVD Color

CE UK CA EMC LVD RoHS WEEE

EcoTap-D & EcoTap-W Soap Dispenser

- Simple yet Elegant Spout Designs - Also customizable
- Interchangeable Pumps - Liquid, Foam and Spray
- Up to 3L Refillable Soap Tank - Environmentally Friendly
- Low Soap LED Indicator



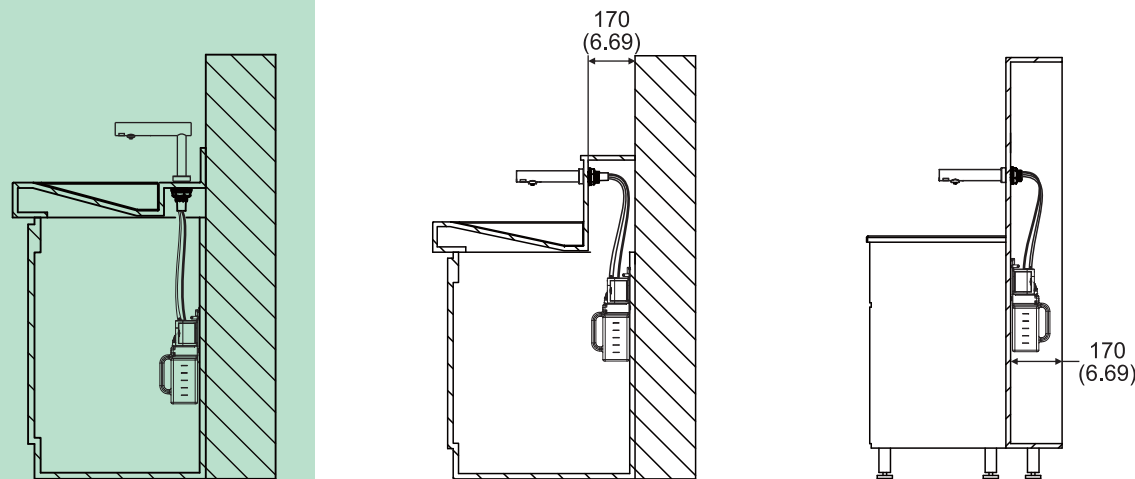
EcoTap-D SD11 / 21 / 31

Color : Satin
Material : SUS 304
Power : AC

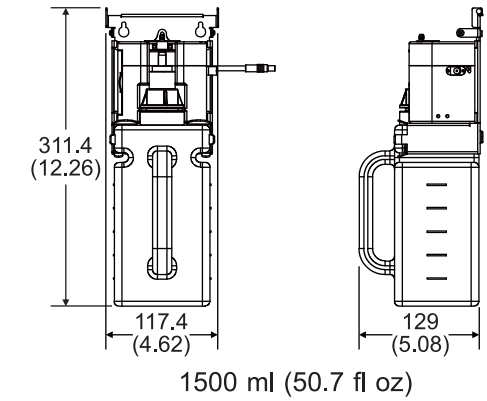
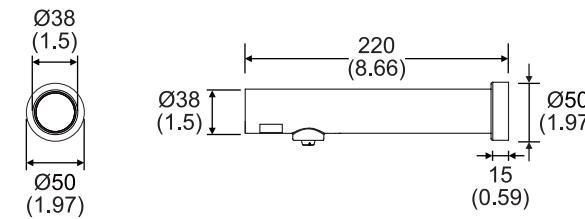
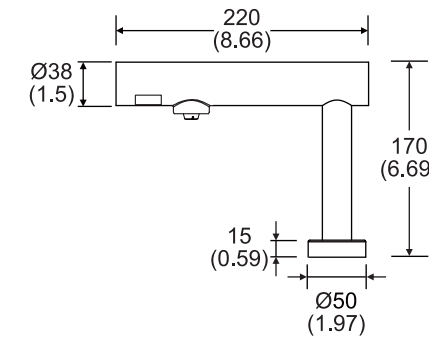


EcoTap-W SD11 / 21 / 31

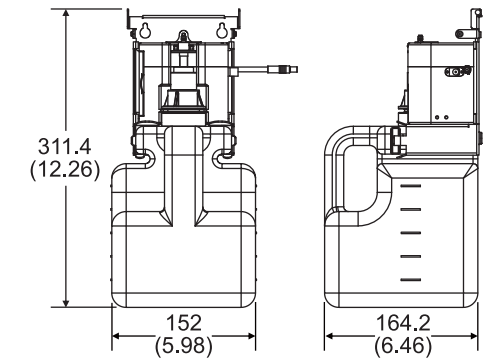
Color : Satin
Material : SUS 304
Power : AC



DIM'S
mm(inch)



1500 ml (50.7 fl oz)



3000 ml (101.4 fl oz)

DIM'S
mm(inch)

Technical Specifications

Power Source	AC type
Dispensing Volume	Liquid type : 1 - 1.2 ml (0.033 - 0.040 fl oz) Foam type : 0.6 - 0.8 ml (0.020 - 0.027 fl oz) Disinfectant spray : 1 - 1.2 ml (0.033 - 0.040 fl oz)
Viscosity	Liquid : 1 - 3000 cps (mPa.s) Foam : 1 - 5 cps (mPa.s)
Soap Tank Capacity	1500 or 3000 ml (50.7 fl oz or 101.4 fl oz) (Optional)
Sensing Range	Standard 120 ± 20 mm (4.72" ± 0.79")
Standby	Solid green light
Soap Low	Flashing green light
Soap Pump Clogged	Flashing red and green light
Package	6 dispensers / carton Gross weight: 15.0 Kg. Measurement: 2.3'

PVD Color

CE UK CA EMC LVD RoHS WEEE

InnoWash Soap Dispenser

- Interchangeable Pumps - Liquid, Foam and Spray
- Up to 3L Refillable Soap Tank - Environmentally Friendly
- Easy to Clean and Maintain
- Ideal for Behind the Mirror Installation



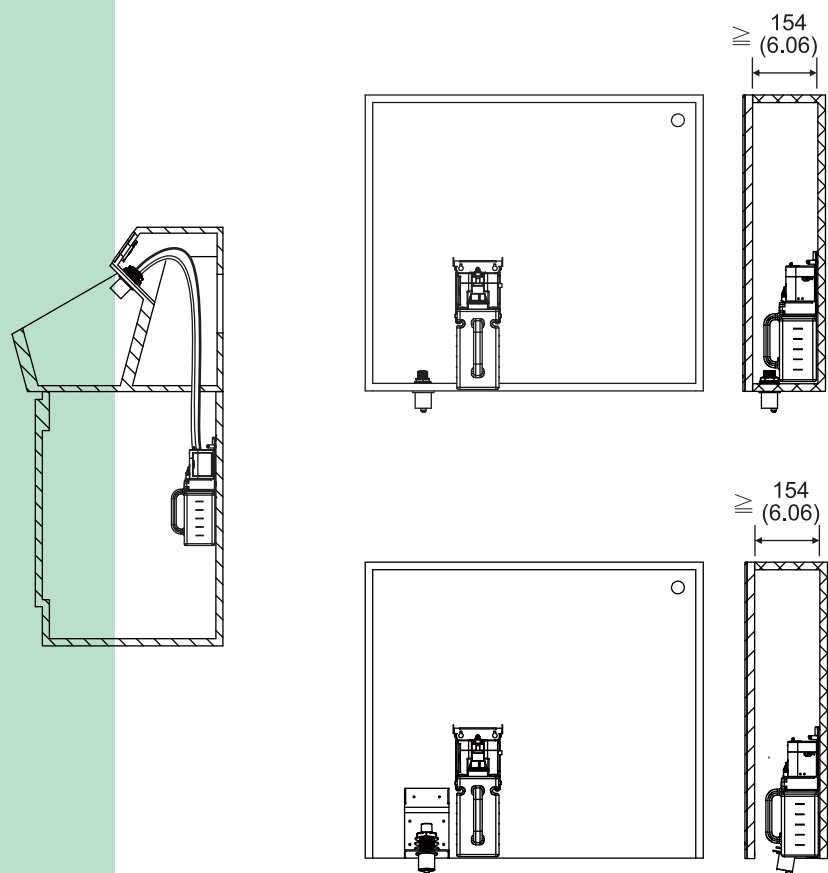
InnoWash SD11 / 21 / 31

Color : Bright
Material : SUS 304
Power : AC

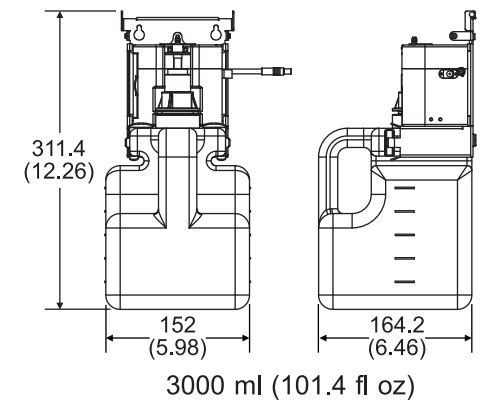
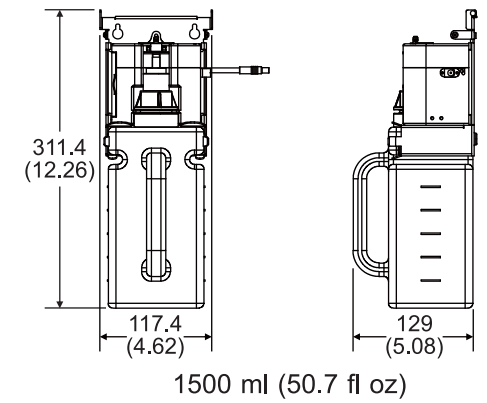
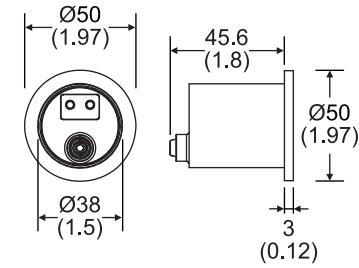


InnoWash SD11 / 21 / 31

Color : Satin
Material : SUS 304
Power : AC



DIM'S
mm(inch)



DIM'S
mm(inch)

Technical Specifications

Power Source	AC type
Dispensing Volume	Liquid type : 1 - 1.2 ml (0.033 - 0.040 fl oz) Foam type : 0.6 - 0.8 ml (0.020 - 0.027 fl oz) Disinfectant spray : 1 - 1.2 ml (0.033 - 0.040 fl oz)
Viscosity	Liquid : 1 - 3000 cps (mPa.s) Foam : 1 - 5 cps (mPa.s)
Soap Tank Capacity	1500 or 3000 ml (50.7 fl oz or 101.4 fl oz) (Optional)
Sensing Range	Standard 120 ± 20 mm (4.72" ± 0.79")
Package	6 dispensers / carton Gross weight: 11.0 Kg. Measurement: 4.6'

PVD Color

CE UK CA EMC LVD RoHS WEEE

Installation references. This product can be installed flexibly.

AUTO FAUCET & URINAL, CLOSET FLUSHER

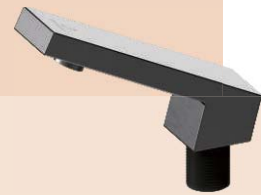
ELECTRONIC FAUCET INFRARED SENSOR OPERATED



Hokwang's auto faucets come in many operating methods and designs. The common material of our faucets is chrome plated brass but we also have them in stainless steel. Our auto faucets use a stable and high quality infrared sensor. Most of them have the sensor positioned right beside the water nozzle which enables a more instinctive and user-friendly operation. You can chose either AC power or a battery operated power source for the auto faucet. All electronic parts are waterproof and of the highest quality. From auto urinal flush valves to auto water closet flush valves, Hokwang offers various options for auto flush valves. There are also different models such as the exposed type, the recessed type, and the wall-mounted type for different installation. We use a stable infrared sensor, which enables the auto flush valves to minimize the waste of water. The sensing range and flow rate are all adjustable to ensure all settings are friendly to the environment.

PENINSULA Auto Faucet

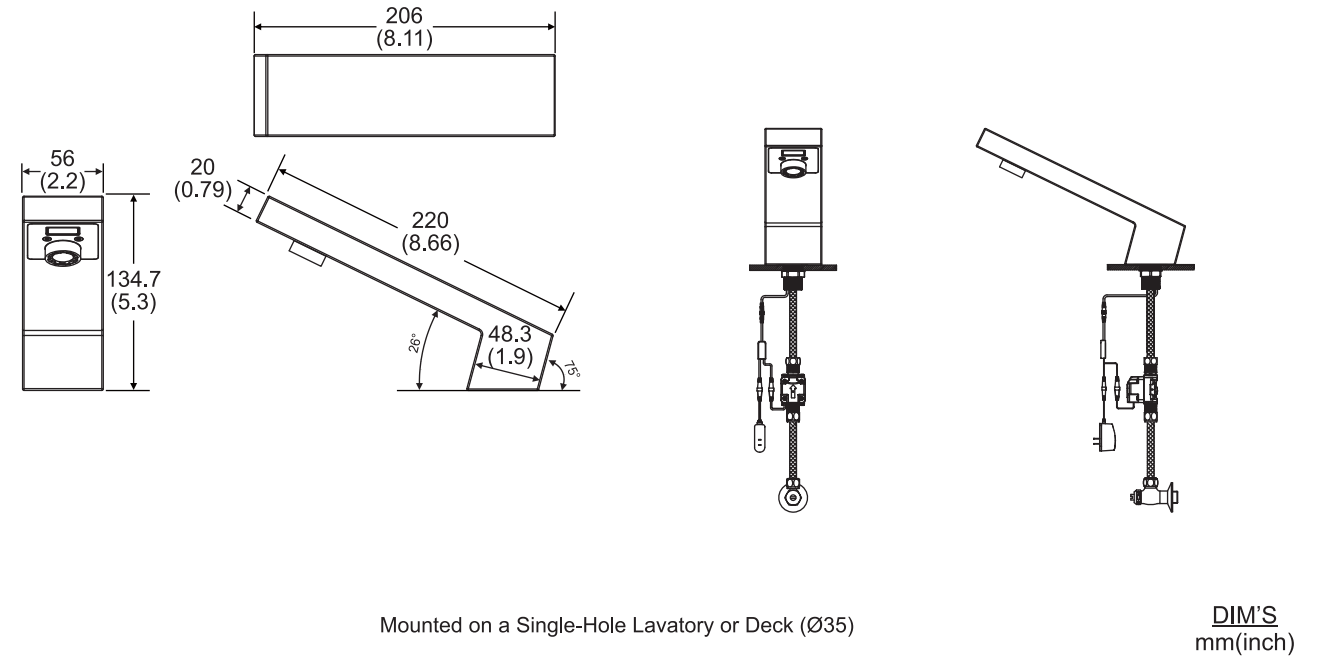
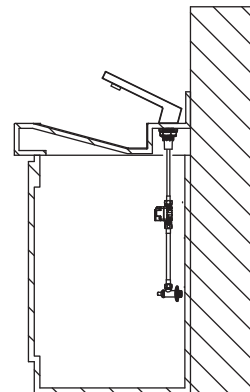
- Integrated Design - Matching Soap Dispenser Available
- Standby Power < 0.1w
- Adjustable Sensing Range



PENINSULA FA01
 Color : Bright
 Material : SUS 304
 Power : AC



PENINSULA FA01
 Color : Satin
 Material : SUS 304
 Power : AC



Technical Specifications

Power Source	AC type
Solenoid Valve Life	100,000 drops / cycles
Sensing Range	Standard 120 ± 20 mm (4.72" ± 0.79")
Shut-off Delay Time	0.5 - 1 second
Time out Setting	1 minute auto shut off
Flowing Volume	8.3 LPM [2.2 GPM], 1.9 or 3.8 LPM [0.5 or 1 GPM] (Optional)
Operating Water Pressure	0.5 - 6 Bar (7 to 87 PSI)
Water Supply Connection	PF 1/2
Applicable Water Temperature	4 - 65 °C (39 - 150 °F)
Package	6 sets / carton Gross weight: 14.0 Kg. Measurement: 2.3'

PVD Color



EcoTap-D & EcoTap-W Auto Faucet

- Integrated Design - Matching Soap Dispenser Available
- Gradient LED Light - Changes Between Standby/ Operational Mode
- Standby Power < 0.1w
- Adjustable Sensing Range



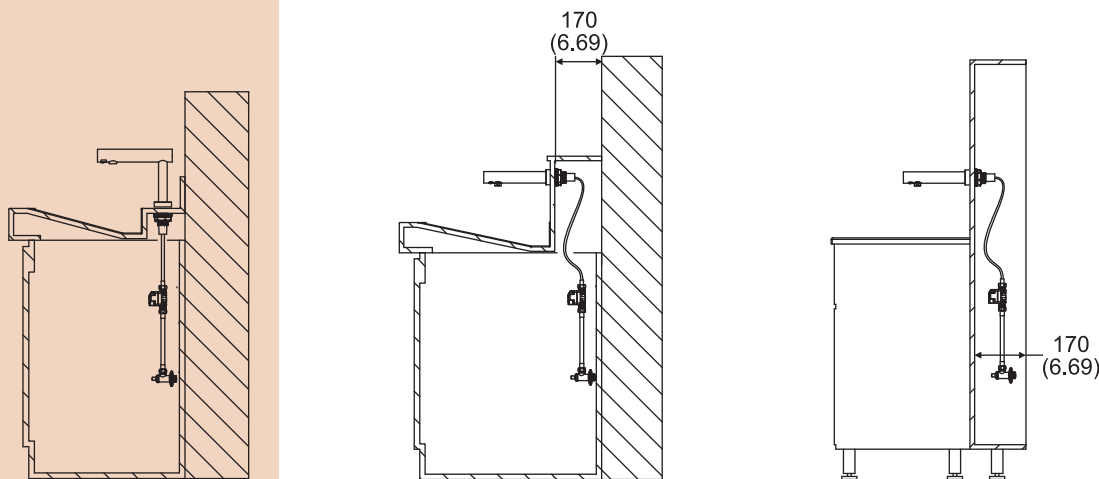
EcoTap-D FA01

Color : Satin
Material : SUS 304
Power : AC

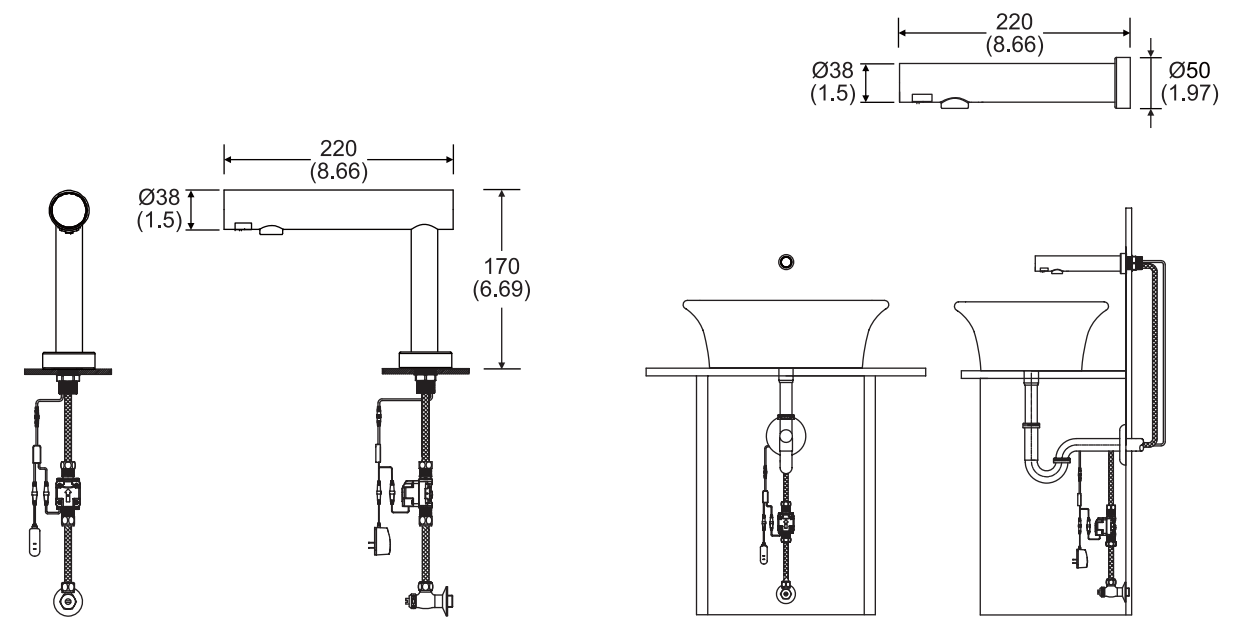


EcoTap-W FA01

Color : Satin
Material : SUS 304
Power : AC



DIM'S
mm(inch)



Mounted on a Single-Hole Lavatory, Deck or Wall (Ø35)

DIM'S
mm(inch)

Technical Specifications

Power Source	AC type
Solenoid Valve Life	100,000 drops / cycles
Standby	Solid blue light
Sensing Range	Standard 120 ± 20 mm (4.72" ± 0.79")
Shut-off Delay Time	0.5 - 1 second
Time out Setting	1 minute auto shut off
Flowing Volume	8.3 LPM [2.2 GPM], 1.9 or 3.8 LPM [0.5 or 1 GPM] (Optional)
Operating Water Pressure	0.5 - 6 Bar (7 to 87 PSI)
Water Supply Connection	PF 1/2
Applicable Water Temperature	4 - 65 °C (39 - 150 °F)
Package	6 sets / carton Gross weight: 14.0 Kg. Measurement: 2.3'

PVD Color



EcoTap-D & EcoTap-W Auto Faucet

- Integrated Design - Matching Soap Dispenser Available
- Standby Power < 0.1w
- Adjustable Sensing Range



EcoTap-D FA02

Color : Satin
Material : SUS 304
Power : AC



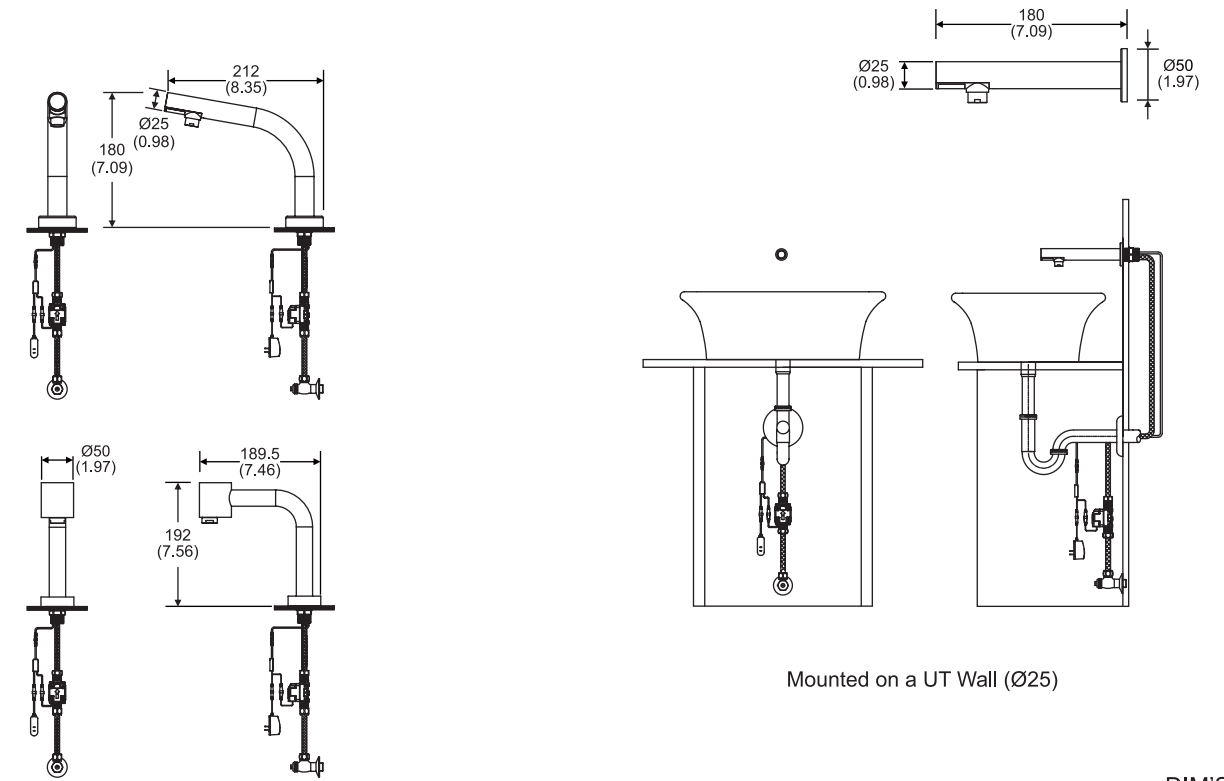
EcoTap-W FA02

Color : Satin
Material : SUS 304
Power : AC



EcoTap-D FA03

Color : Satin
Material : SUS 304
Power : AC



Mounted on a Single-Hole Lavatory or Deck (Ø35)

Mounted on a UT Wall (Ø25)

DIM'S
mm(inch)

Technical Specifications

Power Source	AC type
Soleniod Valve Life	100,000 drops / cycles
Standby	Solid blue light (Only EcoTap-D FA03)
Sensing Range	Standard 120 ± 20 mm (4.72" ± 0.79")
Shut-off Delay Time	0.5 - 1 second
Time out Setting	1 minute auto shut off
Flowing Volume	8.3 LPM [2.2 GPM], 1.9 or 3.8 LPM [0.5 or 1 GPM] (Optional)
Operating Water Pressure	0.5 - 6 Bar (7 to 87 PSI)
Water Supply Connection	PF 1/2
Applicable Water Temperature	4 - 65 °C (39 - 150 °F)
Package	6 sets / carton Gross weight: 14.0 Kg. Measurement: 2.3'

PVD Color



InnoWash Auto Faucet

- Integrated Design - Matching Soap Dispenser Available
- Standby Power < 0.1w
- Adjustable Sensing Range
- Easy to Clean and Maintain
- Ideal for Behind the Mirror Installation



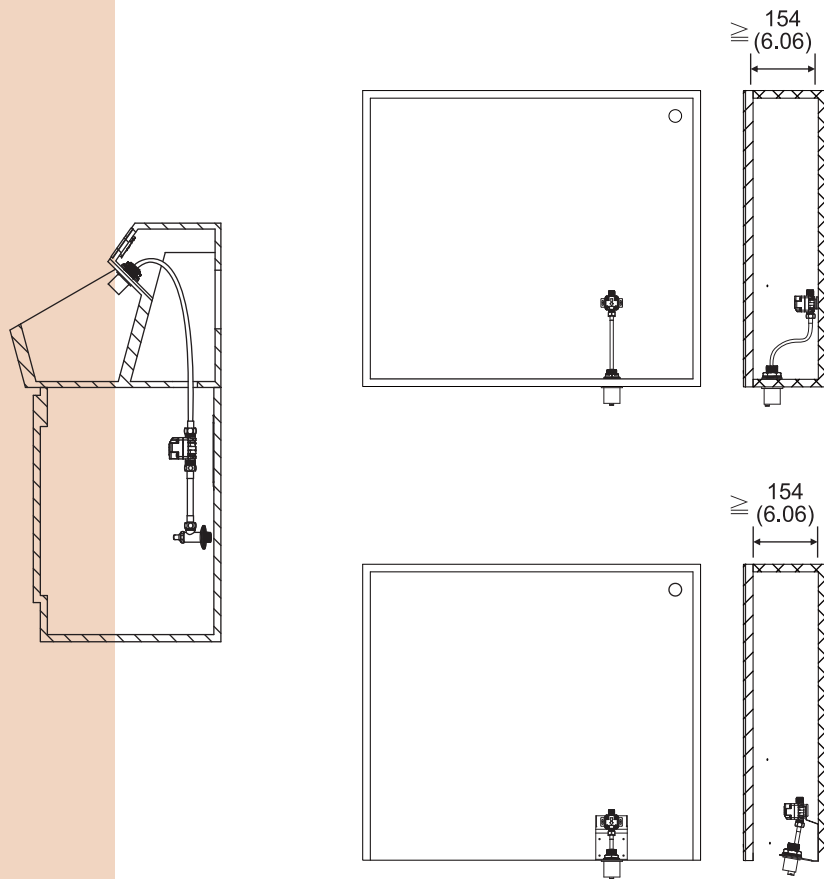
InnoWash FA01

Color : Bright
Material : SUS 304
Power : AC

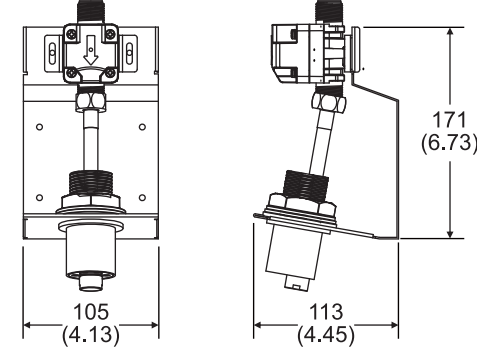
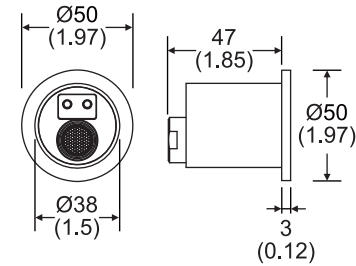


InnoWash FA01

Color : Satin
Material : SUS 304
Power : AC



DIM'S
mm(inch)



Fixing plate may be required for installation behind the mirror

DIM'S
mm(inch)

Technical Specifications

Power Source	AC type
Solenoid Valve Life	100,000 drops / cycles
Sensing Range	Standard 120 ± 20 mm (4.72" ± 0.79")
Shut-off Delay Time	0.5 - 1 second
Time out Setting	1 minute auto shut off
Flowing Volume	8.3 LPM [2.2 GPM], 1.9 or 3.8 LPM [0.5 or 1 GPM] (Optional)
Operating Water Pressure	0.5 - 6 Bar (7 to 87 PSI)
Water Supply Connection	PF 1/2
Applicable Water Temperature	4 - 65 °C (39 - 150 °F)
Package	6 sets / carton Gross weight: 7.5 Kg. Measurement: 2.3'

PVD Color



Installation references. This product can be installed flexibly.

Auto Faucet

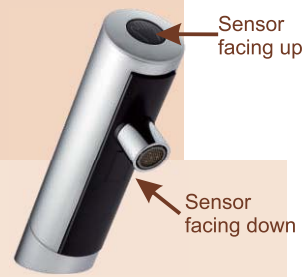
- Dual Sensors Available for Different Purposes
- Five Different Color Panels
- Temperature Adjusting Thermo Mixer Available on the Spout
- Long Service Life
- Auto-detecting Sensor Range



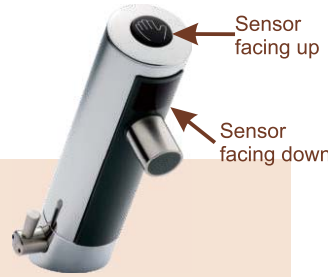
AF380
Color : Chrome
Material : Cast Brass
Power : DC / AC



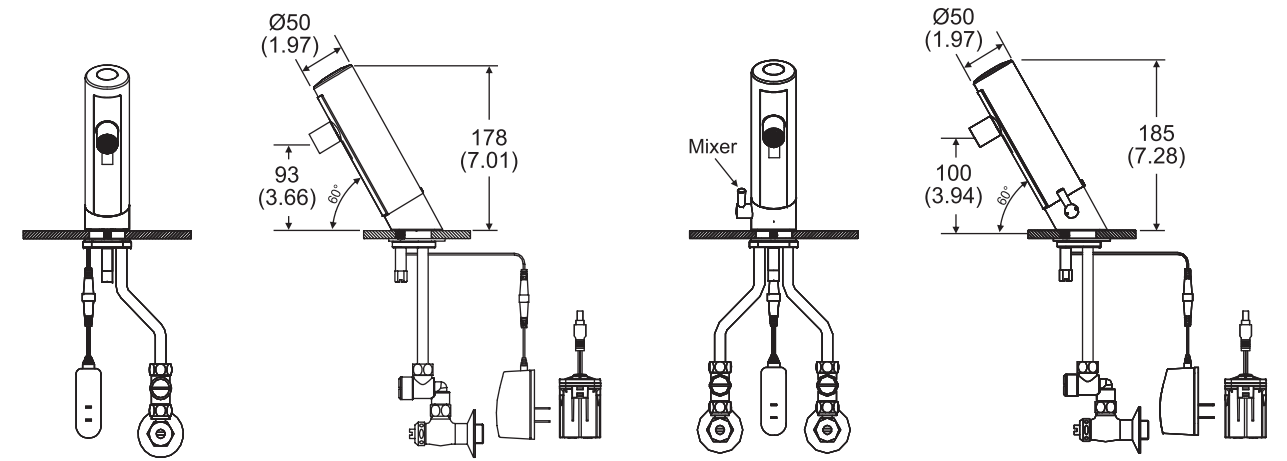
AF381
Color : Chrome
Material : Cast Brass
Power : DC / AC



AF383
Color : Chrome
Material : Cast Brass
Power : DC / AC



AF382
Color : Chrome
Material : Cast Brass
Power : DC / AC



Mounted on a Single-Hole Lavatory or Deck (Ø28 - Ø45)

Mounted on a Single-Hole Lavatory or Deck (Ø35 - Ø45)

DIMS
mm(inch)

Technical Specifications

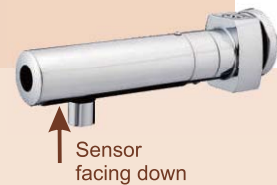
Power Source	Alkaline (1.5V) AA size x 4 or AC type
Solenoid Valve Life	100,000 drops / cycles
Battery Life	2 years (Based on 3,000 cycles per month)
Battery Low	Indicator light (LED)
Sensing Range	facing up: 50 mm (1.97") facing down: 50 - 150 mm (1.97" - 5.9"), adjustable
Shut-off Delay Time	1 second
Time out Setting	facing up: 3 minutes auto shut off facing down: 1 minute auto shut off
Flowing Volume	8.3 LPM (2.2 GPM), 1.9 or 3.8 LPM (0.5 or 1 GPM) Optional
Operating Water Pressure	0.7 - 6.9 Bar (10 to 100 PSI)
Water Supply Connection	PF 1/2
Applicable Water Temperature	4 - 65 °C (39 - 150 °F)
Package	6 sets / carton Gross weight: 12.2 Kg. Measurement: 1.5'

Panel Color



Auto Faucet

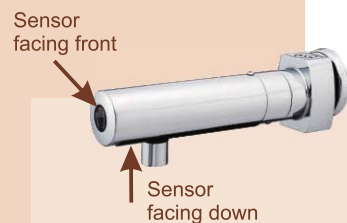
- Dual Sensors Available for Different Purposes
- All-in-one Design- Solenoid Valve Inside the Spout
- Five Different Color Panels
- Lead Free Option Available
- Auto-Detecting Sensor Range



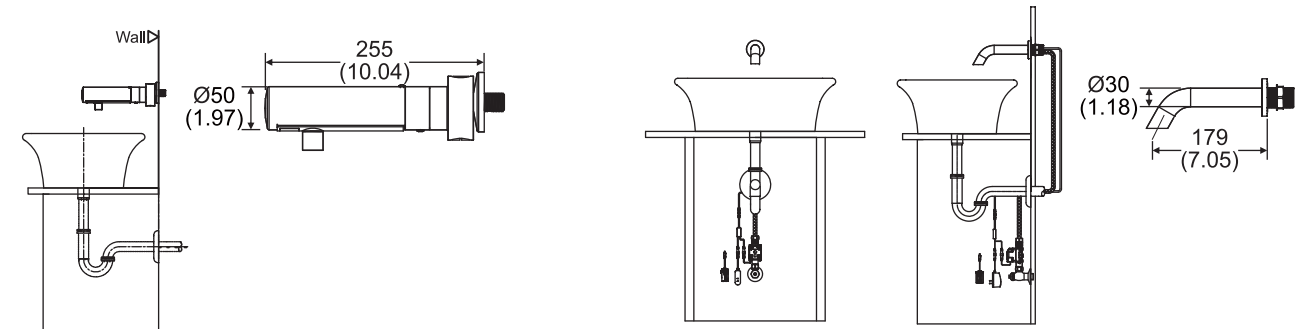
AF330
 Color : Chrome
 Material : Cast Brass
 Power : DC



AF376 (DC / AC)
 Color : Chrome
 Material : Cast Brass
 Power : DC / AC



AF332 (DC)
 Color : Chrome
 Material : Cast Brass
 Power : DC



Mounted on a UT Wall (Ø35)

DIMS
 mm(inch)

Technical Specifications

Power Source	Alkaline (1.5V) AA size x 4 or AC type
Solenoid Valve Life	100,000 drops / cycles
Battery Life	3 years (Based on 3,000 cycles per month)
Battery Low	Indicator light (LED)
Sensing Range	facing front: 50 mm (1.97") facing down: 50 - 200 mm (5.9" - 7.87") ----AF332 facing down: 100 mm (3.94") ----AF330 facing down: 100 - 150 mm (3.94" - 5.9") ----AF376
Shut-off Delay Time	1 second
Time out Setting	facing front: 3 minutes auto shut off facing down: 1 minute auto shut off
Flowing Volume	3.8 LPM (1.0 GPM) ---- AF376 8.3 LPM (2.2 GPM) ---- AF330, AF332
Operating Water Pressure	0.7 - 6.9 Bar (10 to 100 PSI)
Water Supply Connection	PF 1/2
Applicable Water Temperature	4 - 65 °C (39 - 150 °F)
Package	6 sets / carton Gross weight: 16.2 Kg. Measurement: 1.5' ---- AF330, AF332 Gross weight: 9.9 Kg. Measurement: 2' ---- AF376

Panel Color



Auto Faucet

- Hygienic - Hands Free Operation
- Lead Free Option Available
- Auto-Detecting Sensor Range
- IP66 Waterproof
- Filter Equipped



AF362

Color : Chrome
Material : Cast Brass
Power : DC / AC



AF363

Color : Chrome
Material : Cast Brass
Power : DC / AC



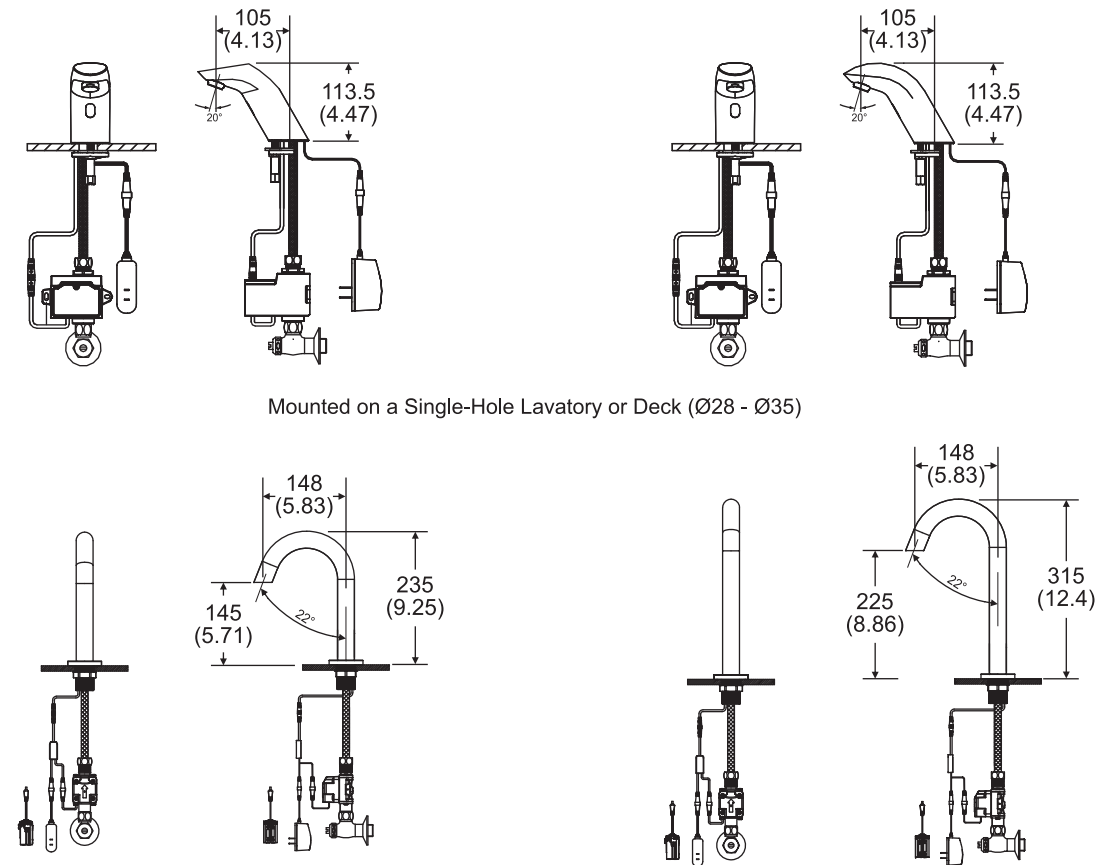
AF370

Color : Chrome
Material : Cast Brass
Power : DC / AC



AF372

Color : Chrome
Material : Cast Brass
Power : DC / AC



Mounted on a Single-Hole Lavatory or Deck (Ø28 - Ø35)

Mounted on a Single-Hole Lavatory or Deck (Ø35)

DIMS
mm(inch)

Technical Specifications

Power Source	Alkaline (1.5V) AA size x 4 or AC type (Optional)
Solenoid Valve Life	100,000 drops / cycles
Battery Life	3 years (Based on 3,000 cycles per month)
Battery Low	Indicator light (LED)
Sensing Range	50 - 200 mm (1.97" - 7.87"), auto adjusted ----AF362, AF363 50 - 150 mm (1.97" - 5.91"), auto adjusted ----AF370, AF372
Shut-off Delay Time	1 second
Time out Setting	1 minute auto shut off
Flowing Volume	8.3 LPM (2.2 GPM) ---- AF362, AF363 3.8 LPM (1.0 GPM) ---- AF370, AF372
Operating Water Pressure	0.7 - 6.9 Bar (10 to 100 PSI)
Water Supply Connection	PF 1/2
Applicable Water Temperature	4 - 65 °C (39 - 150 °F)
Package	10 sets / carton ---- AF362, AF363 6 sets / carton ---- AF370, AF372
	Gross weight: 20.4 Kg. Measurement: 1.9' ---- AF362, AF363
	Gross weight: 10.8 Kg. Measurement: 2' ---- AF370, AF372



Urinal Flusher

- Exposed/ Concealed Types Both Available
- Adjustable Sensing Range
- Flush Time/ Volume Adjustable
- Sentinel Flush - When Unused for 24 Hours



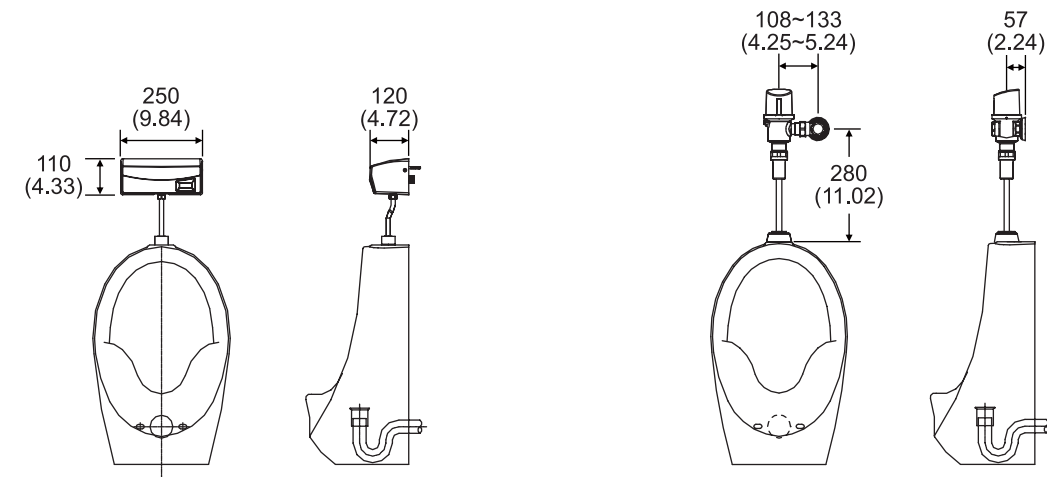
UF508

Color : White
Material : ABS
Power : DC / AC



UF526DE

Color : Chrome
Material : Cast Brass
Power : DC



DIMS
mm(inch)

Technical Specifications

Power Source	Alkaline (1.5V) AA size x 4 or AC type (Optional)
Solenoid Valve Life	100,000 drops / cycles
Battery Life	3 years (Based on 3,000 cycles per month)
Battery Low	Indicator light (LED)
Sensing Range	300 - 700 mm (11.8" - 27.6"), adjustable ---- UF508 400 - 800 mm (15.7" - 31.5"), adjustable ---- UF526DE
Flush Method	Two step automatic wash
Pre Flush Time	1 second
Main Flush Time	2 - 16 seconds, adjusted
Operating Water Pressure	0.7 - 6.9 Bar (10 to 100 PSI) ---- UF508 1 - 6.9 Bar (15 to 100 PSI) ---- UF526DE
Water Supply Connection	PF 1/2 ---- UF508 PF 3/4 ---- UF526DE
Applicable Water Temperature	4 - 65 °C (39 - 150 °F)
Package	4 sets / carton ---- UF526DE 10 sets / carton ---- UF508 Gross weight: 13.5 Kg. Measurement: 1.5' ---- UF526DE Gross weight: 14.7 Kg. Measurement: 2.6' ---- UF508



Closet Flusher

- Hand-Waved Type Available
- Adjustable Sensing Range
- Flush Time/ Volume Adjustable
- Sentinel Flush - When Unused for 24 Hours



Cf101

Color : White
Material : ABS
Power : DC



Cf107

Color : White
Material : ABS
Power : DC



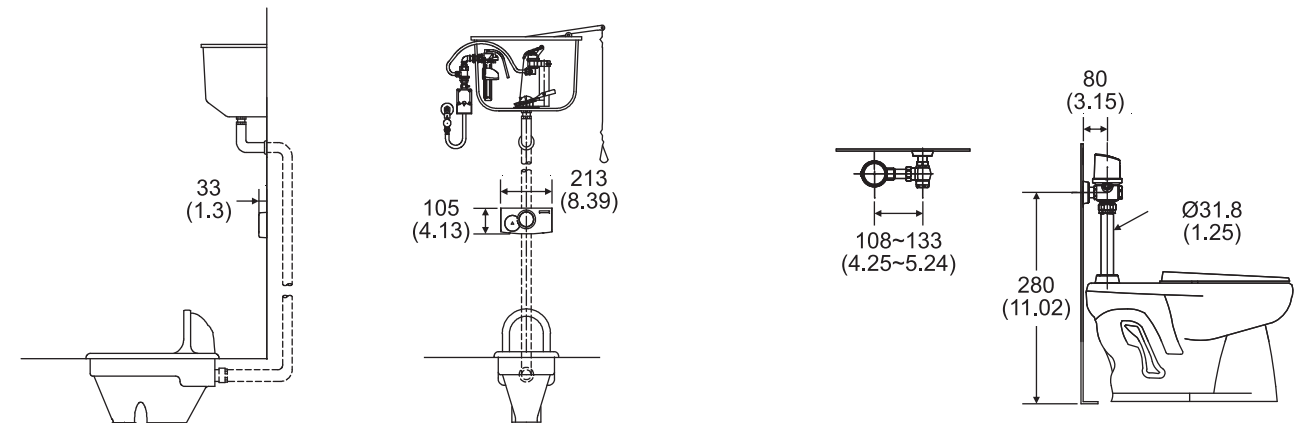
CF126DF

Color : Chrome
Material : Cast Brass
Power : DC



CF112

Color : Chrome
Material : Cast Brass



Technical Specifications

		DIM'S mm(inch)
Power Source	Alkaline (1.5V) AA size x 4	
Solenoid Valve Life	100,000 drops / cycles	
Battery Life	3 years (Based on 3,000 cycles per month)	
Battery Low	Indicator light (LED)	
Sensing Range	400 - 800 mm (15.7" - 31.5"), adjustable	
Detection Time	10 seconds	
Flush Time	1 - 8 seconds, adjusted	
Flowing Volume	6 - 9 Liter, adjusted ---- CF101, CF107 1.28 / 1.6 / 2.4 GPF, adjusted ---- CF126DF	
Dual Flush	Light Flush 1.1 GPF, Standard Flush 1.6 GPF ---- CF126DF	
Arming Delay	5 seconds ---- CF126DF	
Flush Delay	1 second ---- CF126DF	
Operating Water Pressure	0.7 - 6.9 Bar (10 to 100 PSI) 1 - 6.9 Bar (15 to 100 PSI) ---- CF126DF	
Water Supply Connection	PF 1/2 1 1/2" ---- CF126DF	
Applicable Water Temperature	4 - 65 °C (39 - 150 °F) ---- CF126DF	
Package	4 sets / carton 8 sets / carton ----CF112	
	Gross weight: 8.8 Kg. Measurement: 1.5' ---- CF101 & CF107	
	Gross weight: 14.7 Kg. Measurement: 1.5' ---- CF126DF	
	Gross weight: 11.0 Kg. Measurement: 1.2' ---- CF112	

A series of horizontal dotted lines spanning the width of the page, providing a template for writing.